



 **ESPA**
60 years

ESPA UK

CATALOGUE 2022

about us

BORN IN

1962

REACHING

+132

WORLD COUNTRIES

ACCOMPANIED BY 12 SUBSIDIARIES



MADE IN SPAIN

PROXIMITY



95% EUROPE

PRODUCTION



SUPPLY

R&D

PASSIONATE COMPANY

SOUL

IDENTITY/ EXPERIENCE/ POTENTIAL



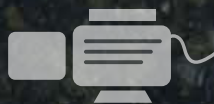
DESIGN



MANUFACTURING



DISTRIBUTION



 **ESPA**



60

YEARS

 **ESPA**

GROUNDWATER

› Submersibles

- 8 Acuaría 07S
- 9 Acuaría 17
- 10 Acuaría 27
- 11 Acuaría 37
- 12 Acuaría 57

› Submersible wet ends and motors

- 13 ES4
- 18 Motor A4F
Franklin 4"
- 18 Substart &
Subtronic

SUPPLY

› Horizontal surface

- 22 Delta
- 23 Aspri 15
- 24 Aspri 25
- 25 Aspri 35
- 26 Aspri 45
- 27 Tecno 15
- 28 Tecno 25

› Vertical surface

- 29 Multi 25
- 30 Multi 35
- 31 Multi 55
- 32 VE 94
- 33 VE 121
- 34 Multi VS

› Automation devices

- 43 Pressdrive
- 44 Pressdrive 05
- 45 Speedrive V2

› Booster

- 46 Tecnopres
- 47 Acuapres
- 48 Tecnoplus 15
- 49 Tecnoplus 25
- 50 Acuaplus
- 51 Sub-tank FS
- 52 Sub-tank VS
- 53 CKE 1
- 55 CKE 2
- 57 CKE 3
- 59 CKE 4

RECIRCULATION AND FILTRATION

› Recirculation

- 64 Silen I
- 65 Silen S
- 66 Silen S2
- 67 Silenplus

› Filtration

- 69 Filterkit Base
- 70 Filterkit Plus

› Cleaning

- 71 Multipool

› Counter-current

- 72 Nadorsel

› Whirlpool and spa

- 73 Tiper
- 74 Wiper 0
- 75 Wiper 3

› Other applications

- 76 Piscis

DRAINAGE

› Drainage

- 80 Vigila 100
- 81 Vigila
- 82 Vigilex
- 83 Vigicor
- 84 Drain 100
- 85 Drainex 100
- 86 Drainex 202
- 88 Drainex 302
- 90 Drainex 402
- 92 Drainex 502
- 94 Drainex 602
- 96 Draincor

ACCESSORIES

- 100 CIMM vessels
- 101 GWS vessels
- 102 Accessories

INFORMATION

- 104 Regulations





Groundwater

Submersible monoblock centrifugal multistage pump for water supply

Applications

Pumping of clean water for domestic, industrial, agricultural and gardening purposes.
Suitable for open wells, ponds and tanks.

Materials

Pump body, suction, discharge, filter and impellers in AISI 304.
Pump shaft in AISI 431.
Diffusers in technopolymer.
Double mechanical seal.
O-rings in NBR/EPDM.

Equipment

Check valve not included.
Model MA with float switch.
Model M/T without float switch.
Cable, plug and capacitor: see table.

Motor

Asynchronous 2 poles.
IP68 protection.
Class F insulation.
Continuous operation.
Water cooled motor.
Single phase motor with built-in thermal protection.

Limitations

Maximum water temperature 40 °C.
Maximum submersion 12m.

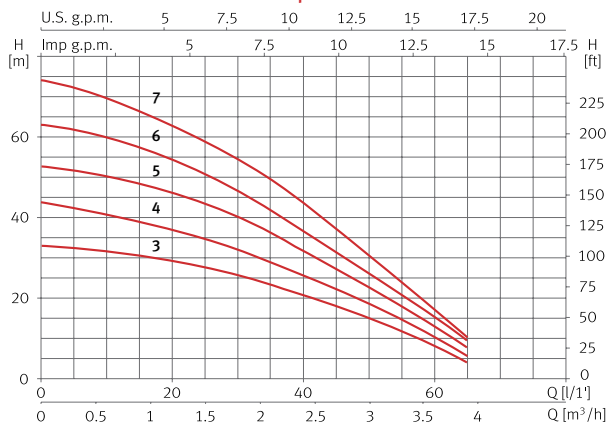


Hydraulic performance table

Model	I [A]		P1 [kW]		P2		c [μF]	l/min m³/h	10	20	30	40	50	60	65
	1~230V	3~400V	1~	3~	[kW]	[HP]			0,6	1,2	1,8	2,4	3,0	3,6	3,9
Acuaría 07S 3	2,9	-	0,6	-	0,37	0,5	12	mwc	33	29	26	21	15	8	4
Acuaría 07S 4	4	1,5	0,8	0,8	0,55	0,75	12		41	37	32	26	19	10	6
Acuaría 07S 5	4,7	2,2	1	1	0,75	1	12		50	46	40	32	23	13	8
Acuaría 07S 6	6,2	2,2	1,2	1,1	0,9	1,2	12		60	55	47	37	26	15	9
Acuaría 07S 7	6,5	2,4	1,4	1,3	1,1	1,5	30		70	64	55	44	31	18	11

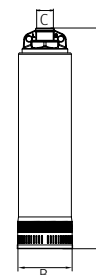
Model	Code with internal capacitor and 15m of cable with plug type F.		Code CEXT with external capacitor without capacitor box and 15m of cable without plug.		Code
	1~230V (Model M)	1~230V (Model MA)	1~230V (Model M CEXT)	1~230V (Model MA CEXT)	
Acuaría 07S 3	00209123	00209078	00209133	00209127	-
Acuaría 07S 4	00209122	00209079	00209130	00209126	00209194
Acuaría 07S 5	00209124	00209080	00209131	00209128	00209196
Acuaría 07S 6	00209125	00209081	00209132	00209129	00209340
Acuaría 07S 7	-	-	00209134	00209082	00209344

Performance curve at 2900 rpm



Dimension and weight

Model	A	B	C	Kg
Acuaría 07S 3	479	125	1"	10
Acuaría 07S 4	502	125	1"	10,6
Acuaría 07S 5	526	125	1"	11,5
Acuaría 07S 6	569	125	1"	12,4
Acuaría 07S 7	593	125	1"	12,6



Submersible monoblock centrifugal multistage pump for water supply

Applications

Pumping of clean water for domestic, industrial, agricultural and gardening purposes.
Suitable for open wells, ponds and tanks.

Materials

Pump body, suction, discharge, filter and impellers in AISI 304.
Pump shaft in AISI 431.
Diffusers in technopolymer.
Double mechanical seal.
O-rings in NBR/EPDM.

Equipment

Check valve not included.
Model MA with float switch.
Model M/T without float switch.
15m of cable without plug.
External capacitor.

Motor

Asynchronous 2 poles.
IP68 protection.
Class F insulation.
Continuous operation.
Water cooled motor.
Single phase motor with built-in thermal protection.

Limitations

Maximum water temperature 40 °C.
Maximum submersion 12m.



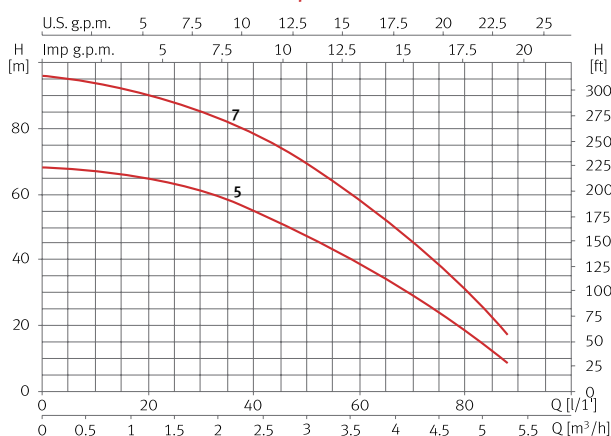
Model MA

Model M/T

Hydraulic performance table

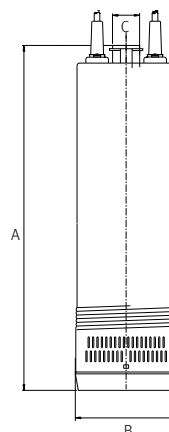
Model	I [A]		P1 [kW]		P2		c [μF]	l/min	10	20	30	40	50	60	80	85	Code		
	1~230V	3~400V	1~	3~	[kW]	[HP]											1~230V (Model M)	1~230V (Model MA)	3~400V (Model T)
	m³/h	0,6	1,2	1,8	2,4	3,0											3,6	4,8	5,1
Acuaría 17 5	7,4	2,6	1,6	1,5	0,9	1,2	16	mwc	67	65	62	55	48	39	18	12	00096265	00096266	00096251
Acuaría 17 7	10,7	3,8	2,2	2,1	1,5	2	25	mwc	94	90	85	78	69	58	30	22	00096282	00096283	00096275

Performance curve at 2900 rpm



Dimension and weight

Model	A	B	C	Kg
Acuaría 17 5	554	138	1"	19,8
Acuaría 17 7	646	138	1"	24



Submersible monoblock centrifugal multistage pump for water supply

Applications

Pumping of clean water for domestic, industrial, agricultural and gardening purposes.
Suitable for open wells, ponds and tanks.

Materials

Pump body, suction, discharge, filter and impellers in AISI 304.
Pump shaft in AISI 431.
Diffusers in technopolymer.
Double mechanical seal.
O-rings in NBR/EPDM.

Equipment

Check valve not included.
Model MA with float switch.
Model M/T without float switch.
15m of cable without plug.
External capacitor.

Motor

Asynchronous 2 poles.
IP68 protection.
Class F insulation.
Continuous operation.
Water cooled motor.
Single phase motor with built-in thermal protection.

Limitations

Maximum water temperature 40 °C..
Maximum submersion 12m.



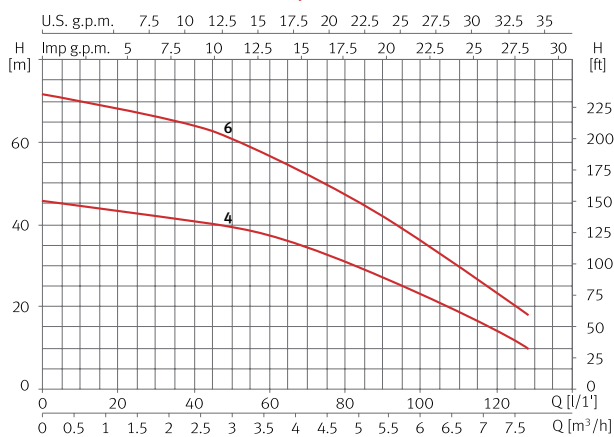
Model MA

Model M/T

Hydraulic performance table

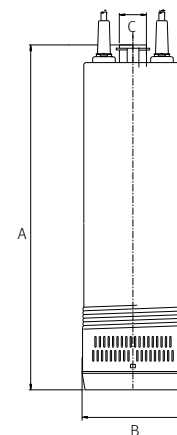
Model	I [A]		P1 [kW]		P2		c [μF]	l/min m³/h	20	30	40	50	60	80	100	120	Code		
	1~230V	3~400V	1~	3~	[kW]	[HP]			mwc	1,2	1,8	2,4	3,0	3,6	4,8	6,0	7,2	1~230V (Model M)	1~230V (Model MA)
Acuaria 27 4	7	2,5	1,5	1,4	0,9	1,2	16		43	42	41	39	38	31	23	14	00096342	00096343	00096328
Acuaria 27 6	10,8	3,8	2,2	2,1	1,5	2	25		68	66	64	61	57	47	36	24	00096359	00096360	00096352

Performance curve at 2900 rpm



Dimension and weight

Model	A	B	C	Kg
Acuaria 27 4	552	138	1"	20
Acuaria 27 6	655	138	1"	24



Submersible monoblock centrifugal multistage pump for water supply

Applications

Pumping of clean water for domestic, industrial, agricultural and gardening purposes.
Suitable for open wells, ponds and tanks.

Materials

Pump body, filter and impellers in AISI 304.
Suction and discharge in cast iron.
Pump shaft in AISI 431.
Diffusers in technopolymer.
Double mechanical seal.
O-rings in NBR/EPDM.

Equipment

Check valve not included.
15m of cable without plug.
External capacitor.

Motor

Asynchronous 2 poles.
IP68 protection.
Class F insulation.
Continuous operation.
Water cooled motor.
Single phase motor with built-in thermal protection.

Limitations

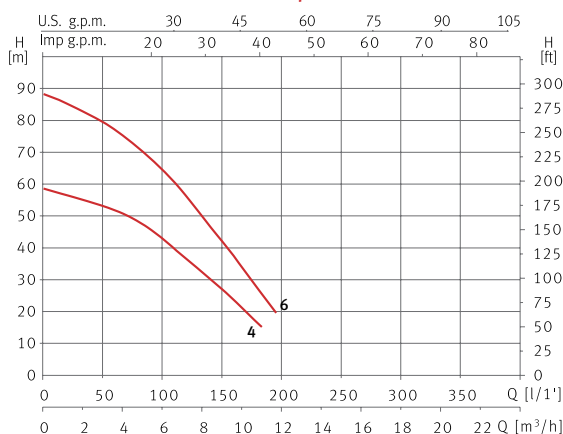
Maximum water temperature 40 °C.
Maximum submersion 12m.



Hydraulic performance table

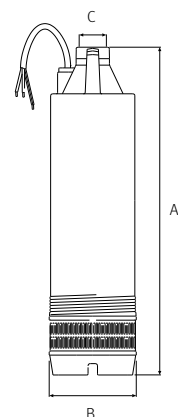
Model	I [A]		P1 [kW]		P2		c [μF]	l/min	12	40	60	100	120	140	160	Code	
	1~230V	3~400V	1~	3~	[kW]	[HP]			m³/h	1,2	2,4	3,6	6,0	7,2	8,4	8,6	1~230V (Model M)
Acuaria 37 4	9,2	3,3	2	1,9	1,1	1,5	30	mwc	56	53	51	41	35	29	22	00135380	00135379
Acuaria 37 6	-	5,3	-	3	2,2	3	-		85	81	77	65	56	46	37	-	00135381

Performance curve at 2900 rpm



Dimension and weight

Model	A	B	C	Kg
Acuaria 37 4	623	152	1 1/2"	27,6
Acuaria 37 6	672	152	1 1/2"	30,6



Submersible monoblock centrifugal multistage pump for water supply

Applications

Pumping of clean water for domestic, industrial, agricultural and gardening purposes.
Suitable for open wells, ponds and tanks.

Materials

Pump body, filter and impellers in AISI 304.
Suction and discharge in cast iron.
Pump shaft in AISI 431.
Diffusers in technopolymer.
Double mechanical seal.
O-rings in NBR/EPDM.

Equipment

Check valve not included.
15m of cable without plug.

Motor

Asynchronous 2 poles.
IP68 protection.
Class F insulation.
Continuous operation.
Water cooled motor.

Limitations

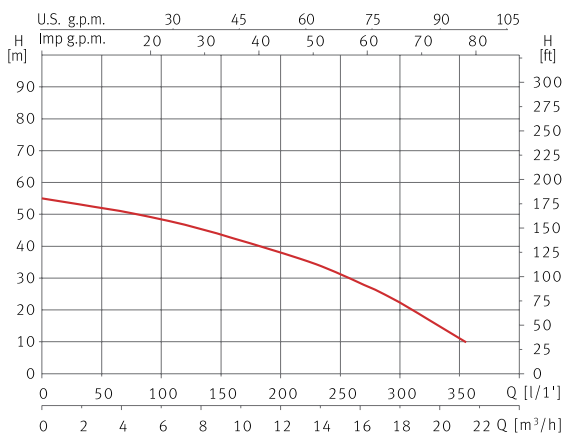
Maximum water temperature 40 °C.
Maximum submersion 12m.



Hydraulic performance table

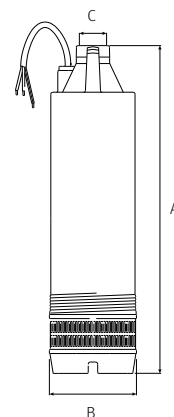
Model	I [A]	P1 [kW]	P2		l/min	50	100	150	200	250	300	350	Code
	3~400V	3~	[kW]	[HP]	m³/h	3,0	6,0	9,0	12	15	18	21	
Acuaría 57 4	5,4	3	2,2	3	mwc	53	48	42	38	32	23	12	00135382

Performance curve at 2900 rpm



Dimension and weight

Model	A	B	C	Kg
Acuaría 57 4	684	152	1 1/2"	30,6



Submersible 4" wet end with floating impellers

Applications

Assembled on a motor, pumping of clean water for domestic, industrial, agricultural and gardening purposes. Suitable for boreholes.

Materials

Pump body, suction, discharge and pump shaft in AISI 304.
Diffusers and floating impellers in technopolymer.
O-rings in NBR/EPDM.

Equipment

Built-in check valve.
Joint kit according regulation NEMA MG1-18.388.

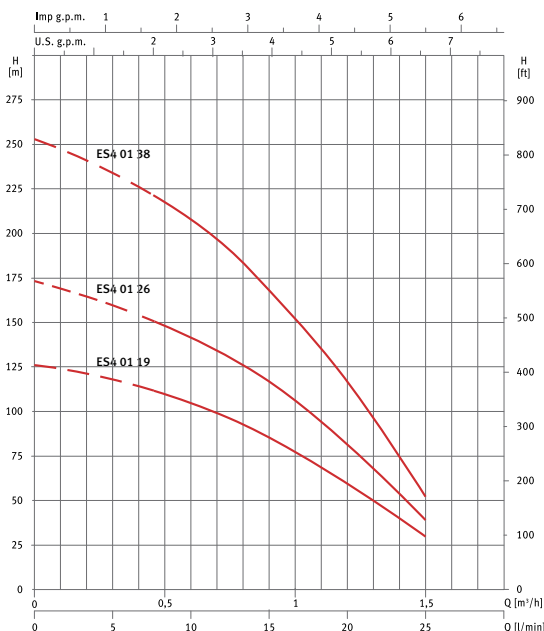
Limitations

Maximum water temperature 40 °C.
Maximum quantity of sand in suspension 100 g/m³.
Maximum submersion 150m.

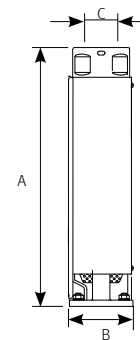


Hydraulic performance table, performance curve at 2900 rpm, dimension and weight

Model	P2		l/min	0	5	10	15	20	25	Code
	[kW]	[HP]	m ³ /h	0	0,3	0,6	0,9	1,2	1,5	
ES4 01 19	0,55	0,75	mwc	126	118	105	86	60	30	00157698
ES4 01 26	0,75	1		173	160	141	117	81	39	00157699
ES4 01 38	1,1	1,5		253	234	208	169	117	52	00157700

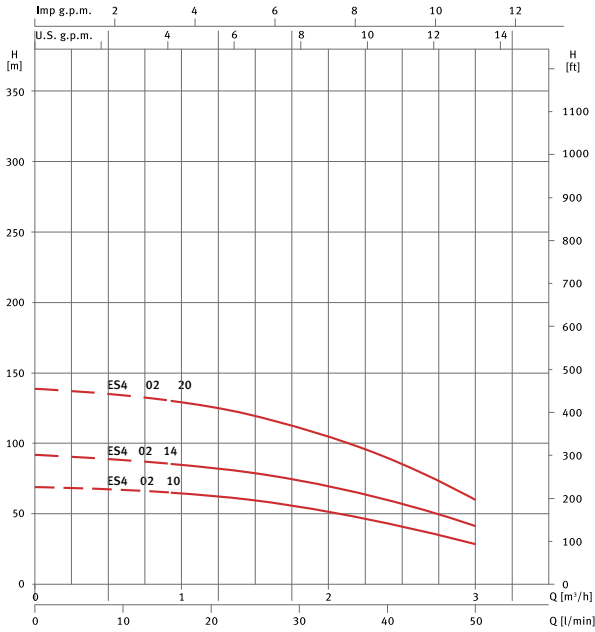


Model	A	B	C	Kg
ES4 01 19	481	98	1 1/4"	4,7
ES4 01 26	642	98	1 1/4"	5,8
ES4 01 38	864	98	1 1/4"	8,2

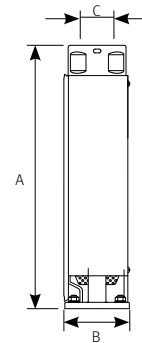


Hydraulic performance table, performance curve at 2900 rpm, dimension and weight

Model	P2		l/min m ³ /h	0	20	25	30	40	50	Code
	[kW]	[HP]		0	1,2	1,5	1,8	2,4	3,0	
ES4 02 10	0,55	0,75	mwc	69	63	60	55	44	29	00157703
ES4 02 14	0,75	1		92	83	79	74	60	42	00157704
ES4 02 20	1,1	1,5		139	127	120	111	90	60	00157705

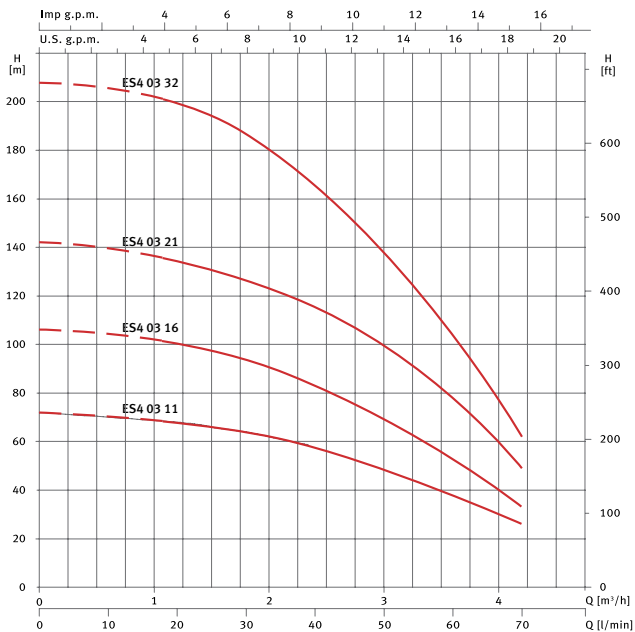


Model	A	B	C	Kg
ES4 02 10	324	98	1 1/4"	3,3
ES4 02 14	394	98	1 1/4"	3,9
ES4 02 20	499	98	1 1/4"	4,9

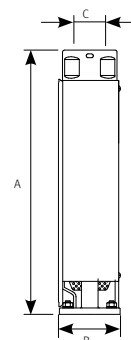


Hydraulic performance table, performance curve at 2900 rpm, dimension and weight

Model	P2		l/min m ³ /h	0	20	30	40	50	70	Code
	[kW]	[HP]		0	1,2	1,8	2,4	3,0	4,2	
ES4 03 11	0,75	1	mwc	72	68	64	58	49	26	00157708
ES4 03 16	1,1	1,5		106	101	95	83	70	33	00157709
ES4 03 21	1,5	2		142	135	127	115	100	49	00157710
ES4 03 32	2,2	3		208	200	187	165	138	62	00157711

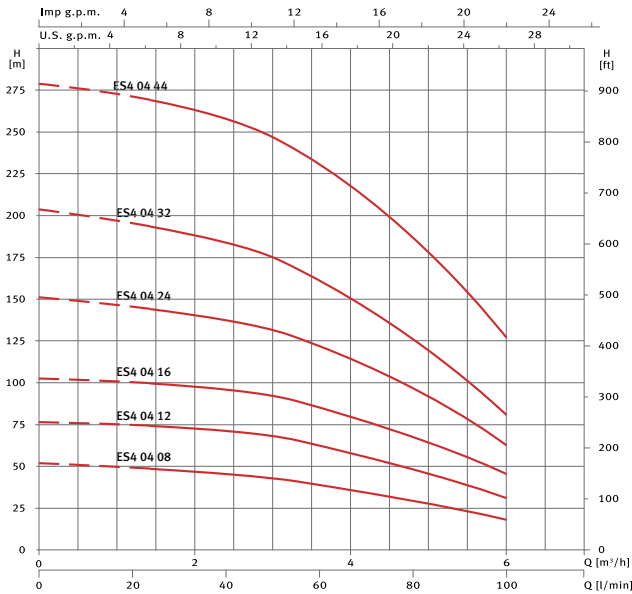


Model	A	B	C	Kg
ES4 03 11	342	98	1 1/4"	3,4
ES4 03 16	430	98	1 1/4"	4,2
ES4 03 21	519	98	1 1/4"	5,0
ES4 03 32	749	98	1 1/4"	7,1

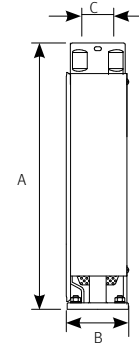


Hydraulic performance table, performance curve at 2900 rpm, dimension and weight

Model	P2		l/min m ³ /h	0	40	50	70	90	100	Code
	[kW]	[HP]		0	2,4	3,0	4,2	5,4	6,0	
ES4 04 08	0,75	1	mwc	51	46	43	35	24	18	00157714
ES4 04 12	1,1	1,5		77	71	68	57	41	31	00157715
ES4 04 16	1,5	2		102	96	92	77	57	46	00157716
ES4 04 24	2,2	3		151	139	132	111	80	62	00157717
ES4 04 32	3	4		203	185	175	146	105	80	00157718
ES4 04 44	4	5,5		278	260	247	210	159	127	00157720

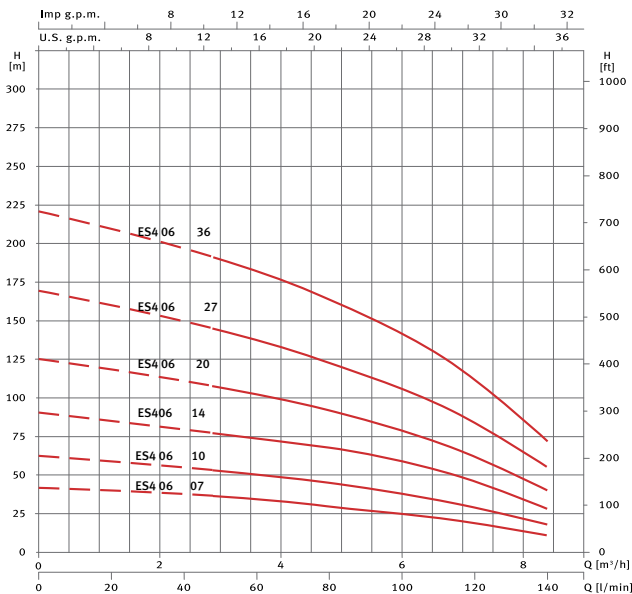


Model	A	B	C	Kg
ES4 04 08	345	98	1 1/4"	3,3
ES4 04 12	433	98	1 1/4"	4,1
ES4 04 16	542	98	1 1/4"	5,0
ES4 04 24	777	98	1 1/4"	6,6
ES4 04 32	965	98	1 1/4"	8,7
ES4 04 44	1296	98	1 1/4"	11,2

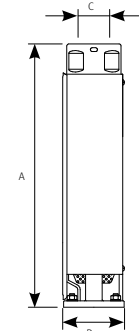


Hydraulic performance table, performance curve at 2900 rpm, dimension and weight

Model	P2		l/min m ³ /h	0	50	70	90	120	140	Code
	[kW]	[HP]		0	3,0	4,2	5,4	7,2	8,4	
ES4 06 07	0,75	1	mwc	42	36	32	28	19	11	00157721
ES4 06 10	1,1	1,5		62	53	48	41	29	18	00157722
ES4 06 14	1,5	2		90	77	71	63	46	28	00157723
ES4 06 20	2,2	3		125	107	97	86	62	40	00157724
ES4 06 27	3	4		169	145	131	115	84	55	00157725
ES4 06 36	4	5,5		221	190	173	154	112	72	00157727

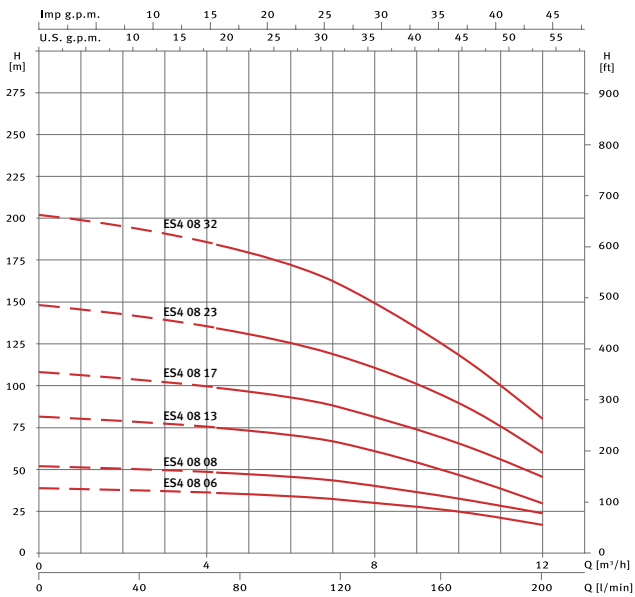


Model	A	B	C	Kg
ES4 06 07	390	98	2"	3,7
ES4 06 10	483	98	2"	4,6
ES4 06 14	607	98	2"	5,7
ES4 06 20	831	98	2"	7,5
ES4 06 27	1048	98	2"	9,6
ES4 06 36	1318	98	2"	12,2

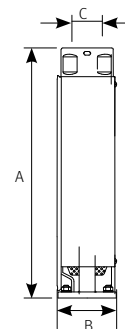


Hydraulic performance table, performance curve at 2900 rpm, dimension and weight

Model	P2		l/min m ³ /h	0	80	100	140	180	200	Code
	[kW]	[HP]		0	4,8	6,0	8,4	10,8	12	
ES4 08 06	1,1	1,5	mwc	39	36	34	29	22	17	00157730
ES4 08 08	1,5	2		52	48	46	39	29	24	00157731
ES4 08 13	2,2	3		82	75	71	59	40	30	00157732
ES4 08 17	3	4		108	98	94	79	58	46	00157733
ES4 08 23	4	5,5		148	134	127	108	79	60	00157735
ES4 08 32	5,5	7,5		202	182	172	143	105	80	00157736

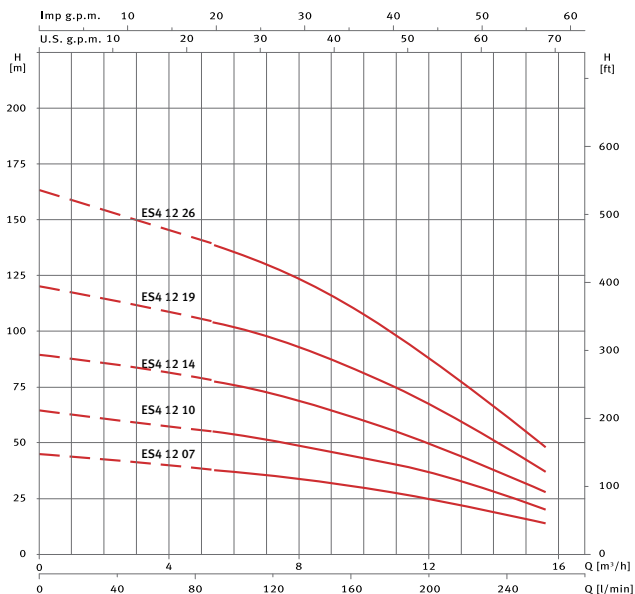


Model	A	B	C	Kg
ES4 08 06	356	98	2"	3,4
ES4 08 08	418	98	2"	4,0
ES4 08 13	573	98	2"	5,5
ES4 08 17	697	98	2"	6,6
ES4 08 23	921	98	2"	8,4
ES4 08 32	1238	98	2"	11,0

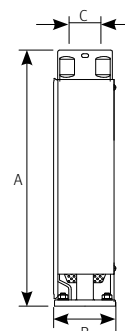


Hydraulic performance table, performance curve at 2900 rpm, dimension and weight

Model	P2		l/min m ³ /h	0	100	140	180	220	260	Code
	[kW]	[HP]		0	6,0	8,4	10,8	13,2	15,6	
ES4 12 07	1,5	2	mwc	45	37	33	28	22	14	00157737
ES4 12 10	2,2	3		64	54	48	41	32	20	00157738
ES4 12 14	3	4		89	76	67	56	43	28	00157739
ES4 12 19	4	5,5		120	102	91	76	58	37	00157741
ES4 12 26	5,5	7,5		163	136	120	100	75	48	00157742

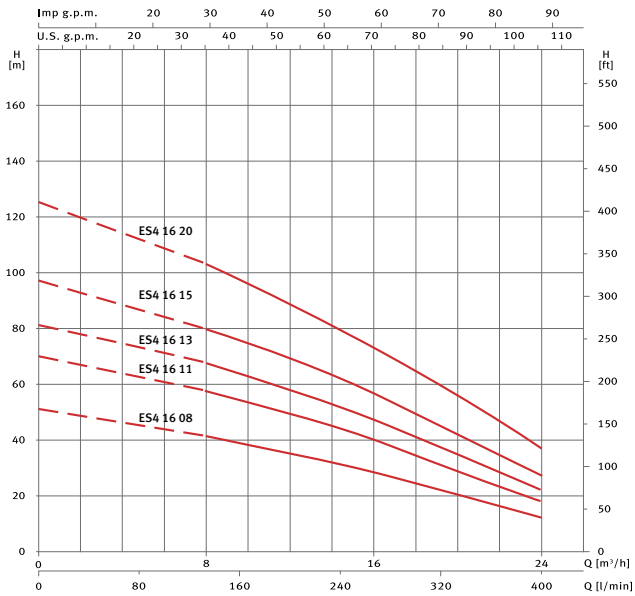


Model	A	B	C	Kg
ES4 12 07	534	98	2"	5,3
ES4 12 10	690	98	2"	6,7
ES4 12 14	989	98	2"	8,6
ES4 12 19	1195	98	2"	11,0
ES4 12 26	1559	98	2"	14,3

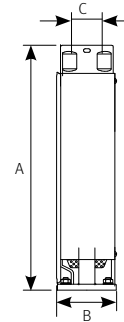


Hydraulic performance table, performance curve at 2900 rpm, dimension and weight

Model	P2		l/min m ³ /h	0	140	200	260	320	400	Code
	[kW]	[HP]		0	8,4	12	15,6	19,2	24	
ES4 16 08	2,2	3	mwc	51	41	35	29	22	12	00157743
ES4 16 11	3	4		70	57	49	41	31	18	00157744
ES4 16 13	4	5,5		81	67	58	48	38	22	00157745
ES4 16 15	4	5,5		97	79	69	58	46	27	00157746
ES4 16 20	5,5	7,5		125	102	89	74	60	37	00157747



Model	A	B	C	Kg
ES4 16 08	676	98	2"	6,3
ES4 16 11	880	98	2"	8,1
ES4 16 13	1013	98	2"	9,3
ES4 16 15	1149	98	2"	10,5
ES4 16 20	1489	98	2"	13,5



Motor A4F Franklin 4” Groundwater | Submersible wet ends and motors

Submersible motor for 4” wet end

Applications

To be assembled on 4” submersible wet end.

Materials

Motor casing and shaft in AISI 304.
O-rings in NBR/EPDM.

Equipment

4” NEMA flange.
Cable, see table.

Motor

Asynchronous 2 poles.
IP68 protection.
Class F insulation.
Continuous operation.
Water cooled encapsulated PSC motors.
Single phase motor with built-in thermal protection.

Limitations

Maximum water temperature 40 °C.
20 starts per hours.
Frost protection to -15 °C.



Feature table

Model	I [A]		P2		Cable section in mm² [1~230V - 3~400V]					Code	
	1~230V	3~400V	[kW]	[HP]	4x1,5	4x2,5	4x4	4x6	4x10	1~230V (Model M)	3~400V (Model T)
Franklin 4” motor 0.37 kW	3,2	1,1	0,37	0,5	120 - 810	200 - 1350	320 - 2160	480 - 3240	810 - 5500	00830009	00830010
Franklin 4” motor 0.55 kW	4,1	1,6	0,55	0,75	80 - 550	130 - 920	220 - 1480	320 - 2230	550 - 3780	00830011	00830012
Franklin 4” motor 0.75 kW	5,4	2,1	0,75	1	60 - 410	100 - 680	170 - 1090	250 - 1640	430 - 2780	00830013	00830014
Franklin 4” motor 1.1 kW	8,1	3	1,1	1,5	40 - 300	70 - 500	120 - 810	180 - 1210	300 - 2060	00830015	00830016
Franklin 4” motor 1.5 kW	10,2	4	1,5	2	30 - 220	60 - 370	90 - 590	130 - 880	230 - 1500	00830017	00830018
Franklin 4” motor 2.2 kW	15,2	5,9	2,2	3	20 - 150	40 - 250	60 - 400	90 - 600	150 - 1030	00830019	00830020
Franklin 4” motor 3 kW	-	7,8	3	4	110	190	310	460	790	-	00830023
Franklin 4” motor 3.7 kW	-	9,1	3,7	5	80	140	230	340	590	-	00830024
Franklin 4” motor 4 kW	-	10	4	5,5	80	140	230	340	590	-	00830021
Franklin 4” motor 5.5 kW	-	13,7	5,5	7,5	60	110	170	260	440	-	00830025

Single phase submersible motor control starter and protector

Model	Motor rating [kW]	Maximal expected current [A]	Capacitor [µF] 450 V	Code
				1~230V
Substart 0.37kW	0.37	12.6	16	00880110
Substart 0.55 kW	0.55	17.7	20	00880111
Substart 0.75 kW	0.75	22.7	35	00880112
Substart 1.1 kW	1.1	33.9	40	00880113
Substart 1.5 kW	1.5	41.7	50	00880114
Substart 2.2 kW	2.2	61.8	70	00880115
Subtronic 0.37 kW	0.37	12.6	16	00880013
Subtronic 0.55 kW	0.55	17.7	20	00880014
Subtronic 0.75 kW	0.75	22.7	35	00880106
Subtronic 1.1 kW	1.1	33.9	40	00880015
Subtronic 1.5 kW	1.5	41.7	50	00880016
Subtronic 2.2 kW	2.2	61.8	70	00880018

*Wet ends and motors available complete

Substart

IP54 protection.
Temperature -5 °C to 40 °C.
Thermal circuit breaker for protection of the motor.

Subtronic

IP54 protection.
Temperature -5 °C to 40 °C.
Thermal circuit breaker for protection of the motor.
Dry-run, voltage and current protection with automatic reset.
Indicators for status, voltage and fault.



Substart



Subtronic



 **ESPA**



#espamoments





Supply

Centrifugal single stage pump for water supply, self-priming up to 9m

Applications

Pumping of clean water for domestic, industrial, agricultural and gardening purposes.
Self-priming up to 9m.

Materials

Pump body in AISI 304.
Pump shaft in AISI 431.
Impeller and diffuser in technopolymer.
Delta 1755 impeller in AISI 304.
Mechanical seal.
Motor casing in aluminium.
O-rings in NBR/EPDM.

Equipment

No cable.
Handle included.

Motor

Asynchronous 2 poles.
IPX5 protection.
Class F insulation.
Built-in thermal protection.
Continuous operation.

Limitations

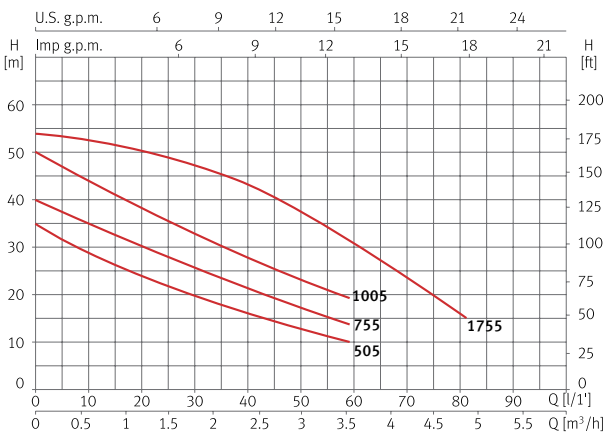
Maximum water temperature 40 °C.



Hydraulic performance table

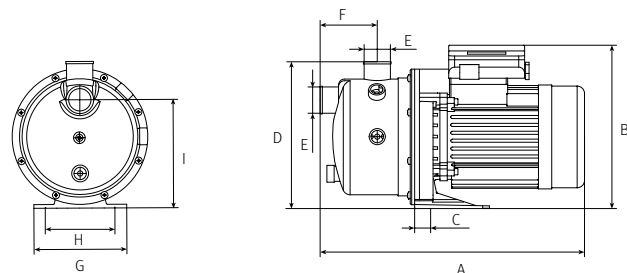
Model	I [A]	P1 [kW]	P2		c [μF]	l/min	5	15	25	35	40	50	60	75	Code
	1~230V	1~	[kW]	[HP]											
Delta 505	2,8	0,6	0,37	0,5	12	mwc	0,3	0,9	1,5	2,1	2,4	3,0	3,6	4,5	1~230V (Model M)
Delta 755	3,4	0,8	0,55	0,75	12		33	26	22	18	17	13	-	-	00146271
Delta 1005	4,8	1	0,75	1	16		37	32	27	23	21	17	-	-	00146270
Delta 1755	5,5	1,2	0,75	1	16		47	40	34	29	27	-	-	-	00146018
							57	55	51	47	44	38	32	21	00146017

Performance curve at 2900 rpm



Dimension and weight

Model	A	B	C	D	E	F	G	H	I	Kg
Delta 505	336	215	22	200	1"	78	126	94	147	6,8
Delta 755	336	215	22	200	1"	78	126	94	147	7,3
Delta 1005	359	225	22	200	1"	78	126	94	147	9,6
Delta 1755	410	225	22	200	1"	125	126	94	147	12,1



Model	I [A]	P1 [kW]	P2		l/min	5	25	50	Vessel	Code
	1~230V	1~	[kW]	[HP]						1~230V (Model M)
Delta 1755/24	5,5	1,2	0,75	1	mwc	57	51	38	24L	00820022



Centrifugal multistage pump for water supply, self-priming up to 9m

Applications

Pumping of clean water for domestic, industrial, agricultural and gardening purposes.
Silent.
Self-priming up to 9m.

Materials

Pump body and impellers in AISI 304.
Pump shaft in AISI 431.
Diffusers in technopolymer.
Suction and discharge in cast iron with cataphoresis coating.
Mechanical seal.
Motor casing in aluminium.
O-rings in NBR/EPDM.

Equipment

No cable.

Motor

Asynchronous 2 poles.
IPX5 protection.
Class F insulation.
Single phase motor with built-in thermal protection.
Continuous operation.

Limitations

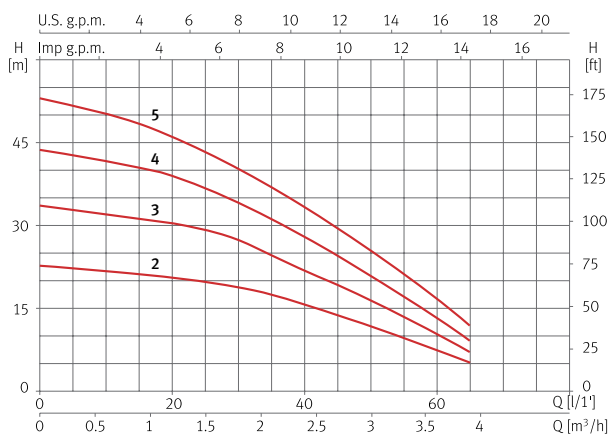
Maximum water temperature 40 °C.



Hydraulic performance table

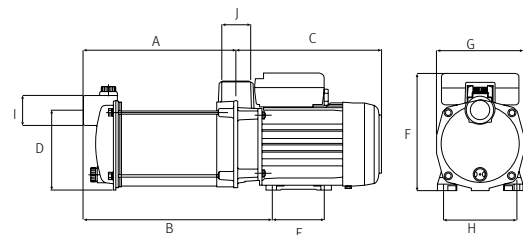
Model	I [A]			P1 [kW]		P2		c [μF]	l/min m ³ /h	10	20	30	40	50	60	Code			
	1~230V	3~230V	3~400V	1~	3~	[kW]	[HP]									1~230V (Model M)	1~230V (Model M B)	3~230V/400V (Model T)	3~230V/400V (Model T B)
Aspri 15 2	2	-	-	0,45	-	0,24	0,33	12	mwc	21	20	17	14	11	7	00096410	-	-	-
Aspri 15 3	2,7	2,1	1,2	0,61	0,61	0,37	0,5	12		32	30	26	22	17	11	00096415	00096419	00096412	00096413
Aspri 15 4	3,5	2,3	1,3	0,79	0,79	0,55	0,75	12		43	39	35	27	22	14	00096423	00096427	00096421	00096422
Aspri 15 5	4,1	3,3	1,9	0,95	0,95	0,75	1	12		51	47	42	34	25	17	00096432	00096436	00096430	00096431

Performance curve at 2900 rpm



Dimension and weight

Model	A	B	C	D	E	F	G	H	I	J	Kg
Aspri 15 2	163	213	202	110	74	162	121	102	1"	1"	8,3
Aspri 15 3	187	237	202	110	74	162	121	102	1"	1"	9,2
Aspri 15 4	211	261	202	110	74	162	121	102	1"	1"	10
Aspri 15 5	235	285	202	110	74	162	121	102	1"	1"	11



Model	Code
	1~230V (Model M)
ES 1000 (Aspri)	00820027



Centrifugal multistage pump for water supply, self-priming up to 9m

Applications

Pumping of clean water for domestic, industrial, agricultural and gardening purposes.
Silent.
Self-priming up to 9m.

Materials

Pump body and impellers in AISI 304.
Pump shaft in AISI 431.
Diffusers in technopolymer.
Suction and discharge in cast iron with cataphoresis coating.
Mechanical seal.
Motor casing in aluminium.
O-rings in NBR/EPDM.

Equipment

No cable.

Motor

Asynchronous 2 poles.
IPX5 protection.
Class F insulation.
Single phase motor with built-in thermal protection.
Continuous operation.

Limitations

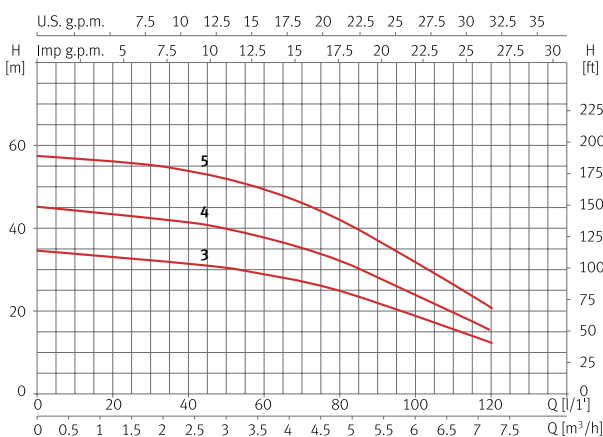
Maximum water temperature 40 °C.



Hydraulic performance table

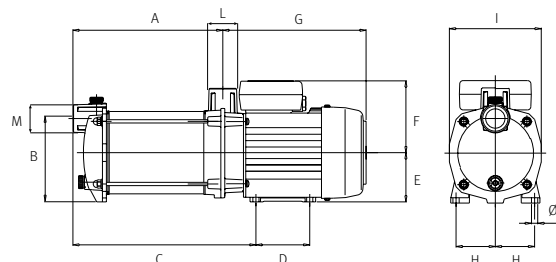
Model	I [A]			P1 [kW]		P2		c [μF]	l/min m³/h	15	30	60	75	90	120	Code			
	1~230V	3~230V	3~400V	1~	3~	[kW]	[HP]									1~230V (Model M)	1~230V (Model M B)	3~230V/400V (Model T)	3~230V/400V (Model T B)
Aspri 25 3	5,5	3,5	2	1,2	1	0,75	1	16	mwc	33	32	28	26	22	12	00096450	00096452	00096447	-
Aspri 25 4	6,8	4,3	2,5	1,5	1,4	0,9	1,2	16	43	42	37	33	28	15	00096458	00096462	00096455	00096456	
Aspri 25 5	7,4	5,2	3	1,7	1,7	1,1	1,5	25	56	55	48	43	37	20	00096466	00096468	00096464	00096465	

Performance curve at 2900 rpm



Dimension and weight

Model	A	B	C	D	E	F	G	H	I	J	L/M	Kg
Aspri 25 3	202	127	253	82	75	110	218	59	138	8	1"	13,5
Aspri 25 4	229	127	279	82	75	110	218	59	138	8	1"	14,6
Aspri 25 5	255	127	328	82	90	122	241	59	138	8	1"	17,2



Centrifugal multistage pump for water supply, self-priming up to 9m

Applications

Pumping of clean water for domestic, industrial, agricultural and gardening purposes.
Silent.
Self-priming up to 9m.

Materials

Pump body and impellers in AISI 304.
Pump shaft in AISI 431.
Diffusers in technopolymer.
Suction and discharge in cast iron with cataphoresis coating.
Mechanical seal.
Motor casing in aluminium.
O-rings in NBR/EPDM.

Equipment

No cable.

Motor

Asynchronous 2 poles.
IPX5 protection.
Class F insulation.
Single phase motor with built-in thermal protection.
Continuous operation.

Limitations

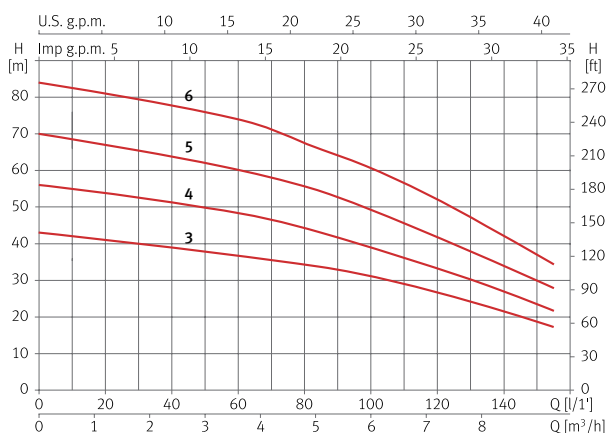
Maximum water temperature 40 °C.



Hydraulic performance table

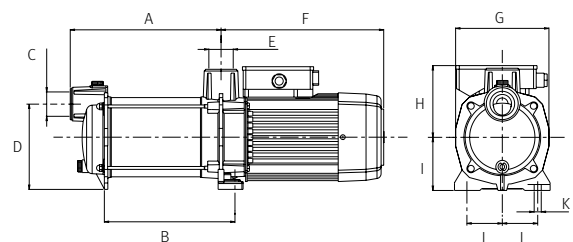
Model	I [A]			P1 [kW]		P2		c [μF]	l/min m³/h	20	40	60	80	100	120	140	150	Code	
	1~230V	3~230V	3~400V	1~	3~	[kW]	[HP]											1~230V (Model M)	3~230V/400V (Model T)
Aspri 35 3	6,7	4,5	2,6	1,5	1,4	0,75	1	25	mwc	41	39	36	34	31	27	22	18	00129699	00129696
Aspri 35 4	8,4	5,3	3,1	1,8	1,8	1,1	1,5	25		54	51	48	44	39	33	27	23	00129700	00129697
Aspri 35 5	10,2	6,9	4	2,3	2,2	1,5	2	30		68	64	60	55	49	41	34	30	00129701	00129698
Aspri 35 6	-	8,3	4,8	-	2,7	2,2	3	-		81	78	74	67	60	52	42	37	-	00130368

Performance curve at 2900 rpm



Dimension and weight

Model	A	B	C/E	D	F	G	H	I	J	K	Kg
Aspri 35 3	221	187	1 1/4"	147	282	158	122	90	60	12	18,5
Aspri 35 4	247	212	1 1/4"	147	282	158	122	90	60	12	20,5
Aspri 35 5	271	236	1 1/4"	147	282	158	122	90	60	12	23,5
Aspri 35 6	296	261	1 1/4"	147	282	158	122	90	60	12	23,7



Centrifugal multistage pump for water supply, self-priming up to 9m

Applications

Pumping of clean water for domestic, industrial, agricultural and gardening purposes.
Silent.
Self-priming up to 9m.

Materials

Pump body and impellers in AISI 304.
Pump shaft in AISI 431.
Diffusers in technopolymer.
Suction and discharge in cast iron with cataphoresis coating.
Mechanical seal.
Motor casing in aluminium.
O-rings in NBR/EPDM.

Equipment

No cable.

Motor

Asynchronous 2 poles.
IPX5 protection.
Class F insulation.
Single phase motor with built-in thermal protection.
Continuous operation.

Limitations

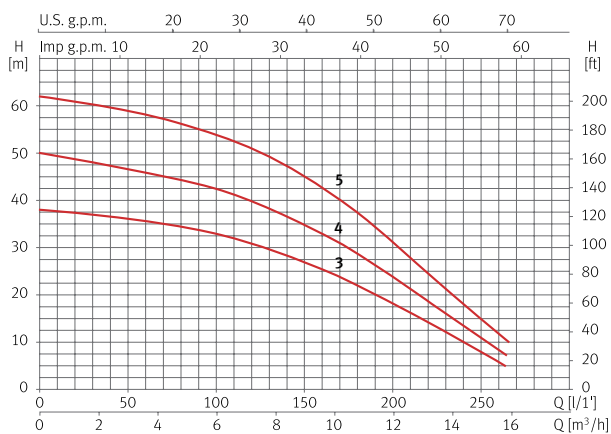
Maximum water temperature 40 °C.



Hydraulic performance table

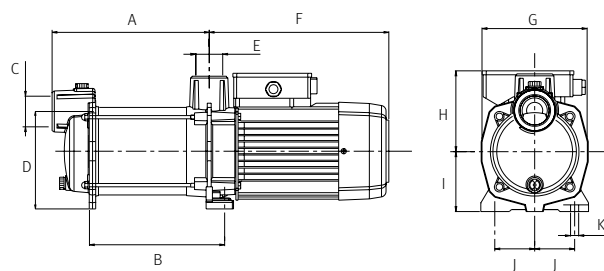
Model	I [A]			P1 [kW]		P2		c [μF]	l/min m³/h	25	50	75	100	125	150	200	250	Code	
	1~230V	3~230V	3~400V	1~	3~	[kW]	[HP]											1~230V (Model M)	3~230V/400V (Model T)
Aspri 45 3	7,9	5,2	3	1,8	1,7	1,1	1,5	25	37	36	35	33	30	27	18	8	00132087	00132089	
Aspri 45 4	10	6,9	4	2,2	2,2	1,5	2	30	48	47	45	42	39	36	24	11	00132088	00132090	
Aspri 45 5	-	8,6	5	-	2,8	2,2	3	-	61	59	56	54	50	45	31	15	-	00132091	

Performance curve at 2900 rpm



Dimension and weight

Model	A	B	C	D	E	F	G	H	I	J	K	Kg
Aspri 45 3	246	212	1 1/2"	147	1 1/4"	282	158	128	90	60	12	22,6
Aspri 45 4	277	242	1 1/2"	147	1 1/4"	282	158	128	90	60	12	23,7
Aspri 45 5	307	273	1 1/2"	147	1 1/4"	282	158	128	90	60	12	25,3



Centrifugal multistage pump for water supply, self-priming up to 9m

Applications

Pumping of clean water for domestic, industrial, agricultural and gardening purposes.
Silent.
Self-priming up to 9m.

Materials

Pump body and impellers in AISI 304.
Pump shaft in AISI 431.
Diffusers in technopolymer.
Mechanical seal.
Motor casing in aluminium.
O-rings in NBR/EPDM.

Equipment

No cable.

Motor

Asynchronous 2 poles.
IPX5 protection.
Class F insulation.
Single phase motor with built-in thermal protection.
Continuous operation.

Limitations

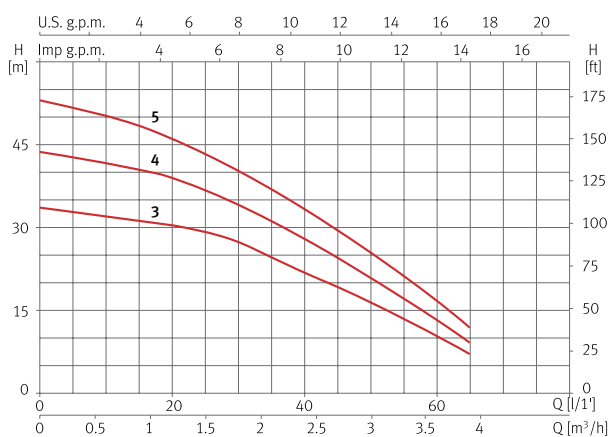
Maximum water temperature 40 °C.



Hydraulic performance table

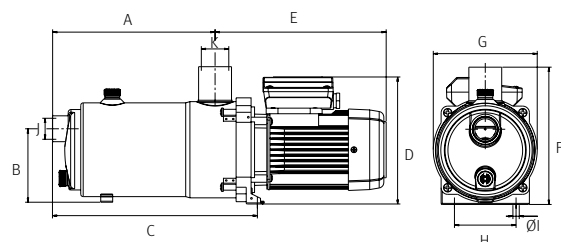
Model	I [A]			P1 [kW]		P2		c [μF]	l/min	10	20	30	35	40	50	60	65	Code	
	1~230V	3~230V	3~400V	1~	3~	[kW]	[HP]											1~230V (Model M)	3~230V/400V (Model T)
Tecno 15 3	2,7	2,1	1,2	0,61	0,61	0,37	0,5	12	m³/h	0,6	1,2	1,8	2,1	2,4	3,0	3,6	3,9	00097518	00097515
Tecno 15 4	3,5	2,3	1,3	0,79	0,79	0,55	0,75	12	mwc	43	39	35	32	27	22	14	9	00097520	00097519
Tecno 15 5	4,1	3,3	1,9	0,95	0,95	0,75	1	12	mwc	51	47	42	38	34	25	17	12	00097522	00097521

Performance curve at 2900 rpm



Dimension and weight

Model	A	B	C	D	E	F	G	H	I	J	K	Kg
Tecno 15 3	197	108	258	182	233	196	149	88	9	1"	1"	7,2
Tecno 15 4	221	108	281	182	233	196	149	88	9	1"	1"	9,5
Tecno 15 5	244	108	305	182	233	196	149	88	9	1"	1"	11



Centrifugal multistage pump for water supply, self-priming up to 9m

Applications

Pumping of clean water for domestic, industrial, agricultural and gardening purposes.
Silent.
Self-priming up to 9m.

Materials

Pump body and impellers in AISI 304.
Pump shaft in AISI 431.
Diffusers in technopolymer.
Mechanical seal.
Motor casing in aluminium.
O-rings in NBR/EPDM.

Equipment

No cable.

Motor

Asynchronous 2 poles.
IPX5 protection.
Class F insulation.
Single phase motor with built-in thermal protection.
Continuous operation.

Limitations

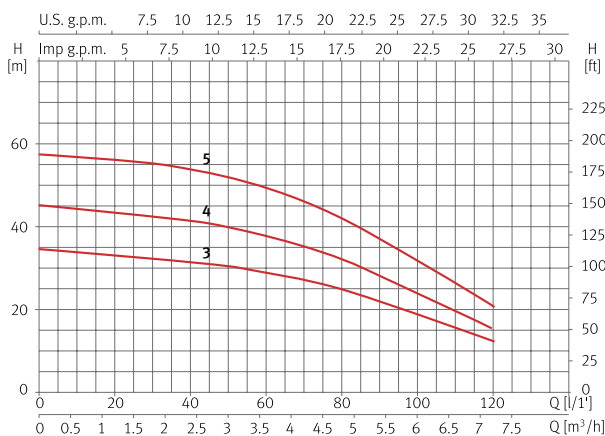
Maximum water temperature 40 °C.



Hydraulic performance table

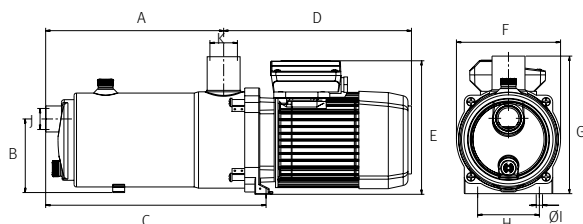
Model	I [A]			P1 [kW]		P2		c [μF]	l/min	15	30	45	60	75	90	105	120	Code	
	1~230V	3~230V	3~400V	1~	3~	[kW]	[HP]											1~230V (Model M)	3~230V/400V (Model T)
Tecno 25 3	5,5	-	-	1,2	-	0,75	1	16	mwc	33	32	31	28	26	22	17	12	00097526	-
Tecno 25 4	6,8	4,3	2,5	1,5	1,4	0,9	1,2	16	mwc	43	42	40	37	33	28	22	15	00097528	00097527
Tecno 25 5	7,4	5,2	3	1,7	1,7	1,1	1,5	25	mwc	56	55	53	48	43	37	29	20	00097530	00097529

Performance curve at 2900 rpm



Dimension and weight

Model	A	B	C	D	E	F	G	H	I	J	K	Kg
Tecno 25 3	210	108	272	267	191	149	196	88	9	1"	1"	7,2
Tecno 25 4	237	108	298	267	191	149	196	88	9	1"	1"	9,5
Tecno 25 5	263	108	325	289	191	149	196	88	9	1"	1"	11



Centrifugal multistage pump for water supply

Applications

Pumping of clean water for domestic, industrial, agricultural and gardening purposes.
Silent.

Materials

Pump body and impellers in AISI 304.
Pump shaft in AISI 420.
Diffusers in technopolymer.
Suction and discharge in cast iron.
Mechanical seal.
Motor casing in aluminium.
O-rings in NBR/EPDM.

Equipment

No cable.
Oval counter flanges DIN 2558 and gaskets included.

Motor

Asynchronous 2 poles.
IPX5 protection.
Class F insulation.
Built-in thermal protection.
Continuous operation.

Limitations

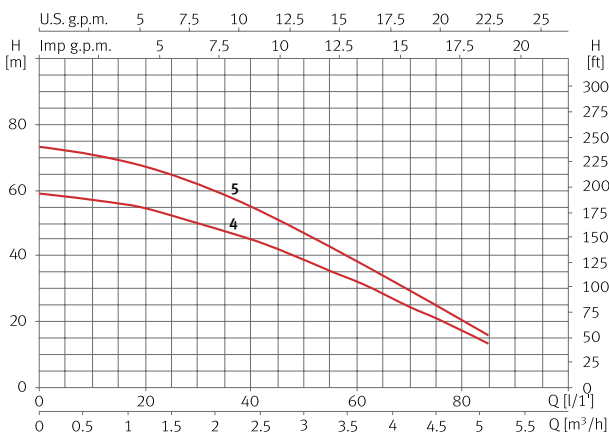
Maximum water temperature 40 °C.



Hydraulic performance table

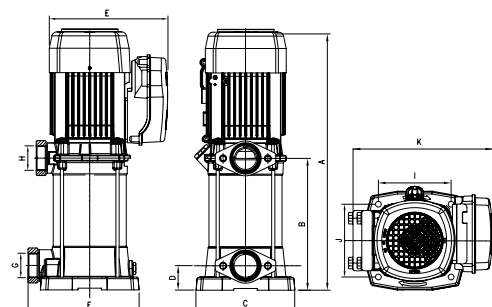
Model	I [A]	P1 [kW]	P2		c [μF]	l/min	8	17	25	33	42	58	75	85	Code
	1~230V	1~	[kW]	[HP]			m³/h	0,5	1,0	1,5	2,0	2,5	3,5	4,5	
Multi 25 4	5,8	1,2	0,75	1	16	mwc	53	51	48	46	42	33	22	13	1~230V (Model M) 00134927
Multi 25 5	6,4	1,4	0,9	1,2	16		66	64	61	57	52	41	27	16	00134928

Performance curve at 2900 rpm



Dimension and weight

Model	A	B	C	D	E	F	G	H	I	J	K	Kg
Multi 25 4	420	205	170	42	203	191	1 1/4"	1 1/4"	125	125	240	17,3
Multi 25 5	442	226	170	42	203	191	1 1/4"	1 1/4"	125	125	240	18,1



Centrifugal multistage pump for water supply

Applications

Pumping of clean water for domestic, industrial, agricultural and gardening purposes.
Silent.

Materials

Pump body and impellers in AISI 304.
Pump shaft in AISI 420.
Diffusers in technopolymer.
Suction and discharge in cast iron.
Mechanical seal.
Motor casing in aluminium.
O-rings in NBR/EPDM.

Equipment

No cable.
Oval counter flanges DIN 2558 and gaskets included.

Motor

Asynchronous 2 poles.
IPX5 protection.
Class F insulation.
Single phase motor with built-in thermal protection.
Continuous operation.

Limitations

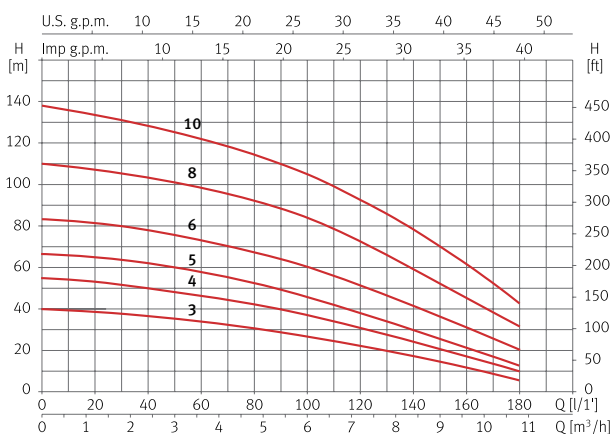
Maximum water temperature 40 °C.



Hydraulic performance table

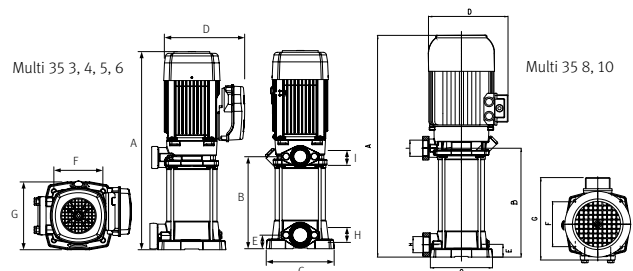
Model	I [A]			P1 [kW]		P2		c [μF]	l/min	17	33	50	75	100	125	150	175	Code	
	1~ 230V	3~ 230V	3~ 400V	1~	3~	[kW]	[HP]											1~230V (Model M)	3~230V/400V (Model T)
Multi 35 3	6,7	4,5	2,6	1,5	1,4	0,75	1	25	mwc	39	37	35	31	27	21	15	7	00129334	00129338
Multi 35 4	8,4	5,3	3,1	1,8	1,8	1,1	1,5	25		54	51	48	44	37	29	21	12	00129335	00129339
Multi 35 5	10,2	6,9	4	2,3	2,2	1,5	2	30		65	63	60	54	46	36	26	15	00129336	00129340
Multi 35 6	-	8,3	4,8	-	2,7	2,2	3	-		82	80	76	69	61	49	37	23	-	00129341
Multi 35 8	-	11,9	6,5	-	3,6	3	4	-		108	105	101	93	85	70	53	35	-	00129342
Multi 35 10	-	15,4	8,9	-	4,9	4	5,5	-		134	130	125	117	105	90	70	47	-	00129337

Performance curve at 2900 rpm



Dimension and weight

Model	A	B	C	D	E	F	G	H	I	Kg
Multi 35 3	487	201,5	184	220	37	133	254	1 1/2"	1 1/4"	20,2/20
Multi 35 4	511,5	226	184	220	37	133	254	1 1/2"	1 1/4"	22,4/20,4
Multi 35 5	536	250,5	184	220	37	133	254	1 1/2"	1 1/4"	25,1/22,7
Multi 35 6	561	275	184	220	37	133	254	1 1/2"	1 1/4"	25,7
Multi 35 8	657,5	323	184	235,5	37	133	244	1 1/2"	1 1/4"	32,6
Multi 35 10	707,5	373	184	235,5	37	133	244	1 1/2"	1 1/4"	39,4



Centrifugal multistage pump for water supply

Applications

Pumping of clean water for domestic, industrial, agricultural and gardening purposes.
Silent.

Materials

Pump body and impellers in AISI 304.
Pump shaft in AISI 420.
Diffusers in technopolymer.
Suction and discharge in cast iron.
Mechanical seal.
Motor casing in aluminium.
O-rings in NBR/EPDM.

Equipment

No cable.
Oval counter flanges DIN 2558 and gaskets included.

Motor

Asynchronous 2 poles.
IPX5 protection.
Class F insulation.
Single phase motor with built-in thermal protection.
Continuous operation.

Limitations

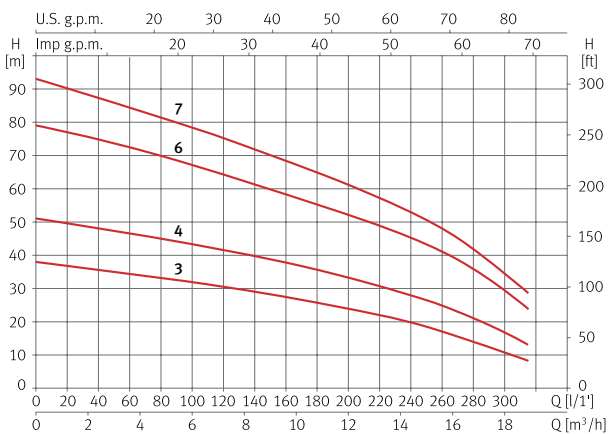
Maximum water temperature 40 °C.



Hydraulic performance table

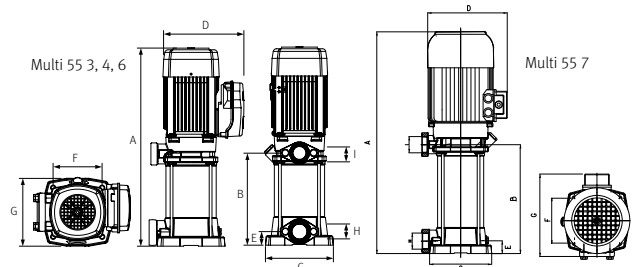
Model	I [A]			P1 [kW]		P2		c [μF]	l/min	20	50	75	100	150	200	250	300	Code	
	1~230V	3~230V	3~400V	1~	3~	[kW]	[HP]											1~230V (Model M)	3~230V/400V (Model T)
Multi 55 3	9,6	6,6	3,8	2,1	2,1	1,5	2	30	m³/h	1,2	3,0	4,5	6,0	9,0	12	15	18	00131483	00131484
Multi 55 4	-	8,3	4,8	-	2,8	2,2	3	-	37	35	33	31	28	24	18	10	-	00131484	00131485
Multi 55 6	-	12,1	7	-	4,2	3	4	-	50	47	45	43	39	33	26	16	-	00131485	00131486
Multi 55 7	-	15,6	9	-	4,9	4	5,5	-	77	73	70	66	60	52	43	29	-	00131486	00131487
									mwc	90	86	82	78	70	60	50	35	-	00131487

Performance curve at 2900 rpm



Dimension and weight

Model	A	B	C	D	E	F	G	H	I	Kg
Multi 55 3	531	245	184	235,5	37	133	244	1 1/2"	1 1/4"	25,7/23,3
Multi 55 4	571	285	184	235,5	37	133	244	1 1/2"	1 1/4"	26,6
Multi 55 6	696	362	184	235,5	37	133	244	1 1/2"	1 1/4"	35,4
Multi 55 7	736	402	184	235,5	37	133	244	1 1/2"	1 1/4"	39,7



Centrifugal multistage pump in-line for water supply

Applications

Pumping of clean water for domestic, industrial, agricultural and gardening purposes.

Materials

Pump body and impellers in AISI 304.
 Pump shaft in AISI 420.
 Diffusers in technopolymer.
 Suction, discharge and motor-wet end coupling in cast iron.
 Mechanical seal.
 Motor casing in aluminium.
 O-rings in NBR/EPDM.

Equipment

No cable.
 Counter flanges and gaskets included.
 Motor-wet end coupling system V18-flange C (IEC standard).

Motor

Asynchronous 2 poles.
 IPX4 protection.
 Class F insulation.
 Continuous operation.

Limitations

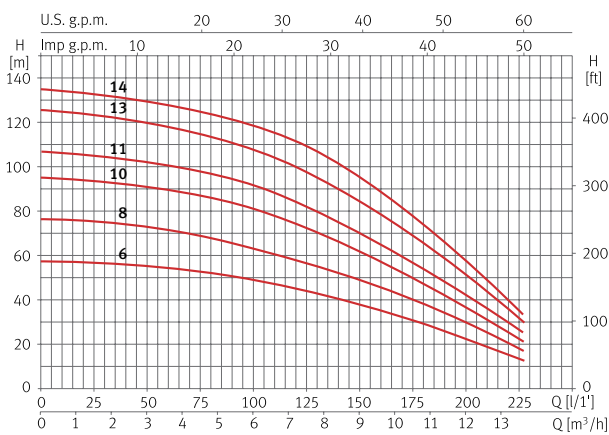
Maximum water temperature 40 °C.



Hydraulic performance table

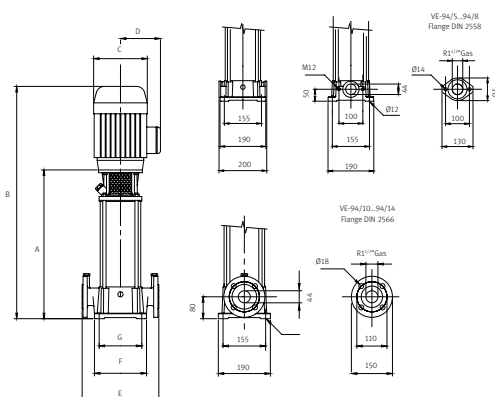
Model	I [A]			P1 [kW]	P2		l/min	mwc							Code		
	3~230V	3~400V	3~692V		3~	[kW]		[HP]	m ³ /h	0,0	3,0	6,0	7,5	9,0	10,5	12	13,5
VE 94 6	6,7	3,9	-	2,3	1,5	2		58	55	49	44	38	31	22	13	00097746	-
VE 94 8	8,9	5,2	-	3	2,2	3		77	73	63	56	49	40	30	18	00097759	-
VE 94 10	11,7	6,8	-	3,9	3	4		95	91	81	72	62	50	36	22	00097710	-
VE 94 11	12,4	7,2	-	4,4	3	4		108	102	91	82	70	56	42	26	00097717	-
VE 94 13	-	8,6	5	5	4	5,5		125	120	107	97	85	68	51	32	-	00097726
VE 94 14	-	9,7	5,4	5,5	5,5	7,5		135	129	118	109	95	77	57	35	-	00097729

Performance curve at 2900 rpm



Dimension and weight

Model	A	B	C	D	E	F	G	Kg
VE 94 6	486	738	176	127	280	190	155	35
VE 94 8	563	838	176	127	280	190	155	38
VE 94 10	666	974	194	138	280	190	155	51
VE 94 11	703	1010	194	138	280	190	155	52
VE 94 13	780	1086	194	138	280	190	155	57
VE 94 14	816	1134	220	146	280	190	155	66



Centrifugal multistage pump in-line for water supply

Applications

Pumping of clean water for domestic, industrial, agricultural and gardening purposes.

Materials

Pump body and impellers in AISI 304.
 Pump shaft in AISI 420.
 Diffusers in technopolymer.
 Suction, discharge and motor-wet end coupling in cast iron.
 Mechanical seal.
 Motor casing in aluminium.
 O-rings in NBR/EPDM.

Equipment

No cable.
 Counter flanges and gaskets included.
 Motor-wet end coupling system V1-flange FF (IEC standard).

Motor

Asynchronous 2 poles.
 IPX4 protection.
 Class F insulation.
 Continuous operation.

Limitations

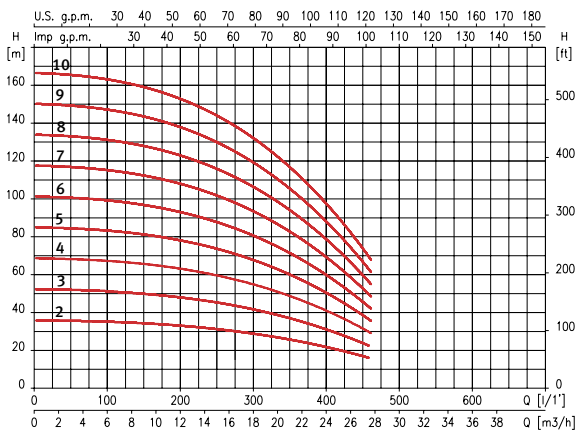
Maximum water temperature 40 °C.



Hydraulic performance table

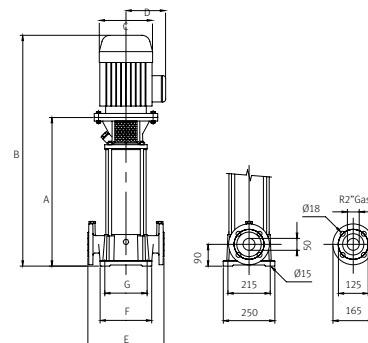
Model	I [A]			P1 [kW]	P2		l/min									Code	
	3~230V	3~400V	3~692V	3~	[kW]	[HP]		m³/h	0	65	130	195	260	325	390	455	3~230V/400V (Model T)
VE 121 2	10,4	6	-	3	3	4	mwc	33	33	32	31	28	25	20	14	00203425	-
VE 121 3	12,1	7	4	4,2	4	5,5		50	49	48	46	42	37	31	21	00203426	00203427
VE 121 4	17,5	10,1	5,8	5,5	5,5	7,5		66	66	64	61	57	50	41	29	00203428	00203429
VE 121 5	20,5	11,8	7,7	6,8	5,5	7,5		83	82	80	77	71	62	51	36	00203430	00203431
VE 121 6	-	14,6	8,5	7,8	7,5	10		100	99	96	92	85	75	61	43	-	00203433
VE 121 7	-	16,5	9,5	9,2	9,2	12,5		116	115	112	107	99	87	71	50	-	00203434
VE 121 8	-	19,5	11,3	10,6	11	15		133	132	128	123	113	100	81	57	-	00203435
VE 121 9	-	21	12,2	13,8	15	20		150	148	145	138	127	112	92	64	-	00203436
VE 121 10	-	23	13,3	15	15	20		166	165	161	153	141	125	102	71	-	00203437

Performance curve at 2900 rpm



Dimension and weight

Model	A	B	C	D	E	F	G	Kg
VE 121 2	470	776	195	140	300	210	130	58
VE 121 3	522	847	195	140	300	210	130	65
VE 121 4	574	943	220	182	300	210	130	82
VE 121 5	626	995	220	182	300	210	130	83
VE 121 6	678	1085	220	182	300	210	130	86
VE 121 7	730	1137	220	182	300	210	130	94
VE 121 8	782	1189	220	182	300	210	130	96
VE 121 9	834	1241	220	182	300	210	130	103
VE 121 10	886	1293	220	182	300	210	130	104



Centrifugal multistage pump in-line for water supply, 100% stainless steel

Applications

Pumping of clean water for domestic, industrial, agricultural and gardening purposes.

Materials

Pump body, suction, discharge, diffusers and impellers in AISI 304.

Pump shaft in AISI 420.

Motor-wet end coupling in cast iron.

Mechanical seal.

Motor casing in aluminium.

O-rings in NBR/EPDM.

Equipment

No cable.

Motor

Asynchronous 2 poles.

IPX4 protection.

Class F insulation.

Continuous operation.

Limitations

Maximum water temperature 120 °C.



Hydraulic performance table

Model	I [A]		P1 [kW]	P2		l/min	0	22	45	65	83	108	Code
	3~230V	3~400V		3~	[kW]		[HP]	m³/h	0	1,3	2,7	3,9	
Multi VS4 05	3,2	1,8	1	0,75	1	mwc	45	44	41	37	31	19	00814038
Multi VS4 07	4,3	2,5	1,4	1,1	1,5		63	61	58	52	44	27	00814039
Multi VS4 10	6,1	3,5	1,9	1,5	2		90	87	82	74	63	39	00814040
Multi VS4 14	8,3	4,8	2,7	2,2	3		126	122	115	104	88	54	00814041
Multi VS4 20	11,7	6,8	3,7	3	4		180	174	165	149	125	77	00814042

Model	I [A]			P1 [kW]	P2		l/min	0	36	70	98	125	150	Code	
	3~230V	3~400V	3~692V		3~	[kW]		[HP]	m³/h	0	2,2	4,2	5,9	7,5	9,0
Multi VS6 03	2,7	1,5	-	0,9	0,75	1	mwc	30	28	26	24	20	15	00814043	-
Multi VS6 05	4,3	2,5	-	1,4	1,1	1,5		49	47	44	40	34	25	00814044	-
Multi VS6 07	6	3,4	-	1,9	1,5	2		69	66	61	56	47	36	00814045	-
Multi VS6 10	8,4	4,8	-	2,7	2,2	3		98	94	88	80	68	51	00814046	-
Multi VS6 14	11,6	6,6	-	3,7	3	4		138	131	123	111	95	71	00814047	-
Multi VS6 18	-	8,4	4,9	4,7	4	5,5		177	169	158	143	122	91	-	00814048
Multi VS6 22	-	10,2	5,9	5,6	5,5	7,5		216	206	193	175	149	112	-	00814049

Hydraulic performance table

Model	I [A]			P1 [kW]	P2		l/min	0	67	101	135	184	220	Code	
	3~230V	3~400V	3~692V		3~	[kW]								[HP]	m³/h
Multi VS10 03	4,3	2,5	-	1,4	1,1	1,5	mwc	34	33	31	29	24	19	00814050	-
Multi VS10 04	5,6	3,2	-	1,8	1,5	2		46	44	41	39	32	25	00814051	-
Multi VS10 06	8,2	4,7	-	2,6	2,2	3		68	65	62	58	48	38	00814052	-
Multi VS10 08	10,8	6,2	-	3,4	3	4		91	87	83	77	65	51	00814053	-
Multi VS10 09	-	6,9	4	3,8	4	5,5		103	98	93	87	73	57	-	00814054
Multi VS10 11	-	8,4	4,9	4,7	4	5,5		126	120	114	106	89	70	-	00814055
Multi VS10 15	-	11,4	6,6	6,3	5,5	7,5		171	163	155	145	121	95	-	00814056
Multi VS10 17	-	12,7	7,4	7,1	7,5	10		194	185	176	164	137	107	-	00814057
Multi VS10 21	-	15,7	9,1	8,7	7,5	10		240	228	217	202	169	133	-	00814058

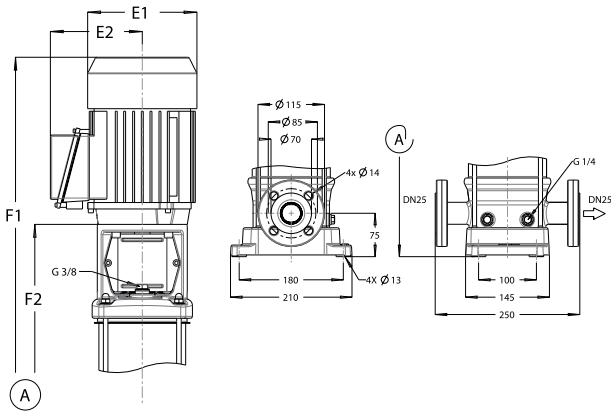
Model	I [A]			P1 [kW]	P2		l/min	0	67	133	200	267	375	Code	
	3~230V	3~400V	3~692V		3~	[kW]								[HP]	m³/h
Multi VS15 02	6,4	3,7	-	2	2,2	3	mwc	29	28	28	26	24	18	00814059	-
Multi VS15 03	9,5	5,5	-	3	3	4		44	42	41	39	36	28	00814060	-
Multi VS15 04	-	7,2	4,2	4	4	5,5		59	57	55	52	48	37	-	00814061
Multi VS15 06	-	10,7	6,2	5,9	5,5	7,5		88	85	82	78	72	55	-	00814062
Multi VS15 08	-	14,1	8,2	7,8	7,5	10		117	113	110	104	96	74	-	00814063
Multi VS15 11	-	19,2	11,1	10,6	11	15		161	156	151	144	132	101	-	00814064
Multi VS15 17	-	29,4	17	16,3	15	20		249	241	234	222	205	156	-	00814065

Model	I [A]			P1 [kW]	P2		l/min	0	150	283	417	500	583	Code	
	3~230V	3~400V	3~692V		3~	[kW]								[HP]	m³/h
Multi VS25 01	6,3	3,6	-	2	2,2	3	mwc	21	20	19	18	15	12	00814066	-
Multi VS25 02	-	7	4,1	3,9	4	5,5		41	40	38	36	30	25	-	00814067
Multi VS25 03	-	10,4	6	5,8	5,5	7,5		62	60	56	53	45	37	-	00814068
Multi VS25 04	-	13,8	8	7,6	7,5	10		83	80	75	71	59	49	-	00814069
Multi VS25 06	-	20,4	11,8	11,3	11	15		124	120	113	107	89	74	-	00814070
Multi VS25 08	-	27	15,6	14,9	15	20		166	160	150	142	119	98	-	00814071

Dimension and weight

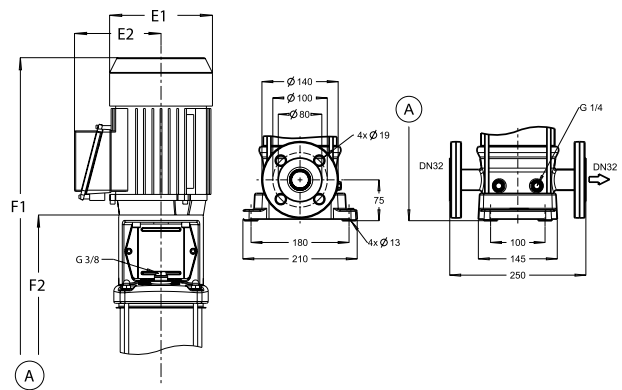
Multi VS4

Model	Motor		Multi VS		
	E1	E2	F1	F2	Kg
Multi VS4 05	150	115	615	358	30
Multi VS4 06	150	115	637	380	30
Multi VS4 10	176	141	729	476	38
Multi VS4 14	176	141	844	562	41
Multi VS4 20	195	145	1015	701	53



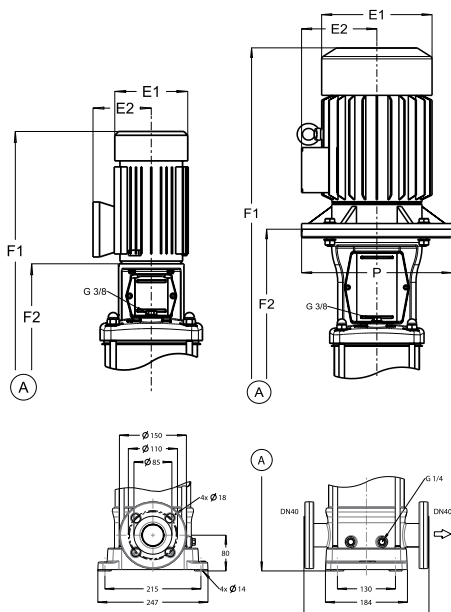
Multi VS6

Model	Motor		Multi VS		
	E1	E2	F1	F2	Kg
Multi VS6 03	150	115	583	326	31
Multi VS6 05	150	115	633	376	32
Multi VS6 07	176	141	689	436	38
Multi VS6 10	176	141	793	511	41
Multi VS6 14	195	145	935	621	53
Multi VS6 18	223	167	1.044	721	62



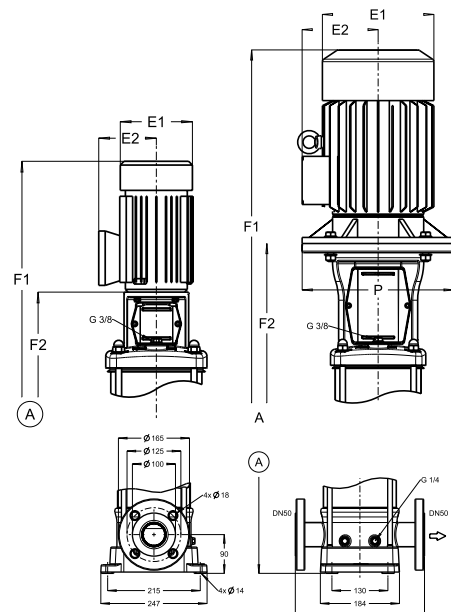
Multi VS10

Model	Motor			Multi VS		
	E1	E2	P	F1	F2	Kg
Multi VS10 03	150	115	-	647	372	39
Multi VS10 04	176	141	-	679	409	45
Multi VS10 06	176	141	-	747	462	49
Multi VS10 08	195	145	-	855	525	59
Multi VS10 09	223	167	-	891	551	65
Multi VS10 11	223	167	-	944	604	67
Multi VS10 15	266	178	300	1.155	790	112
Multi VS10 17	266	178	300	1.208	843	118
Multi VS10 21	266	178	300	1.314	949	122



Multi VS15

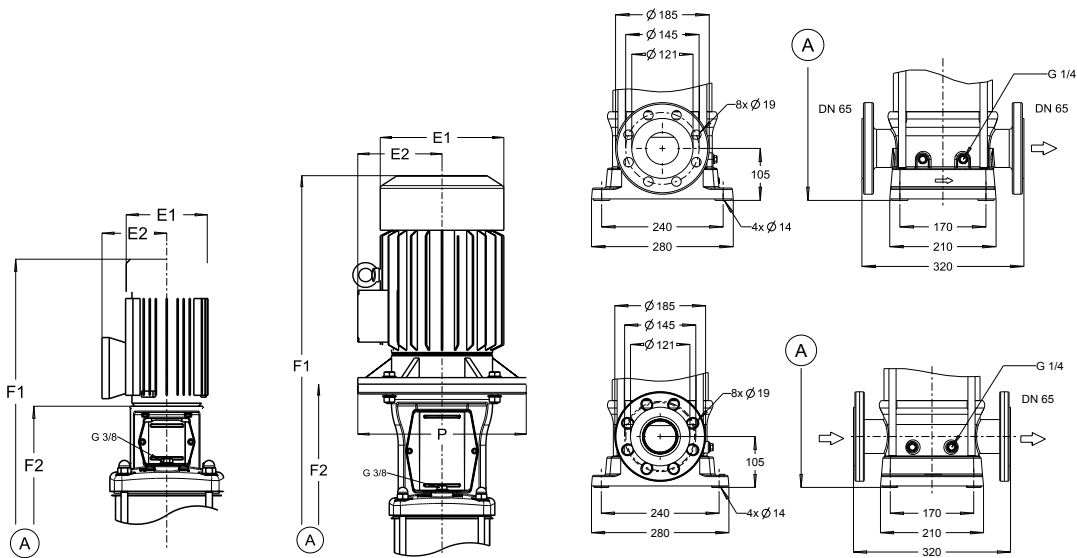
Model	Motor			Multi VS		
	E1	E2	P	F1	F2	Kg
Multi VS15 02	176	141	-	651	366	47
Multi VS15 03	195	145	-	732	402	56
Multi VS15 04	223	167	-	769	429	62
Multi VS15 06	266	178	300	926	561	102
Multi VS15 08	266	178	300	979	614	109
Multi VS15 11	315	204	350	1.222	724	188
Multi VS15 17	315	204	350	1.381	883	207



Dimension and weight

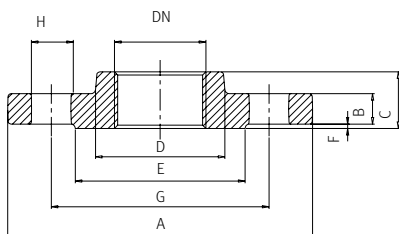
Multi VS25

Model	Motor			Multi VS		
	E1	E2	P	F1	F2	Kg
Multi VS25 01	176	141	-	693	408	70
Multi VS25 02	223	167	-	818	478	85
Multi VS25 03	266	178	300	999	634	114
Multi VS25 04	266	178	300	1.064	699	121
Multi VS25 06	315	204	350	1.357	859	206
Multi VS25 08	315	204	350	1.487	989	231



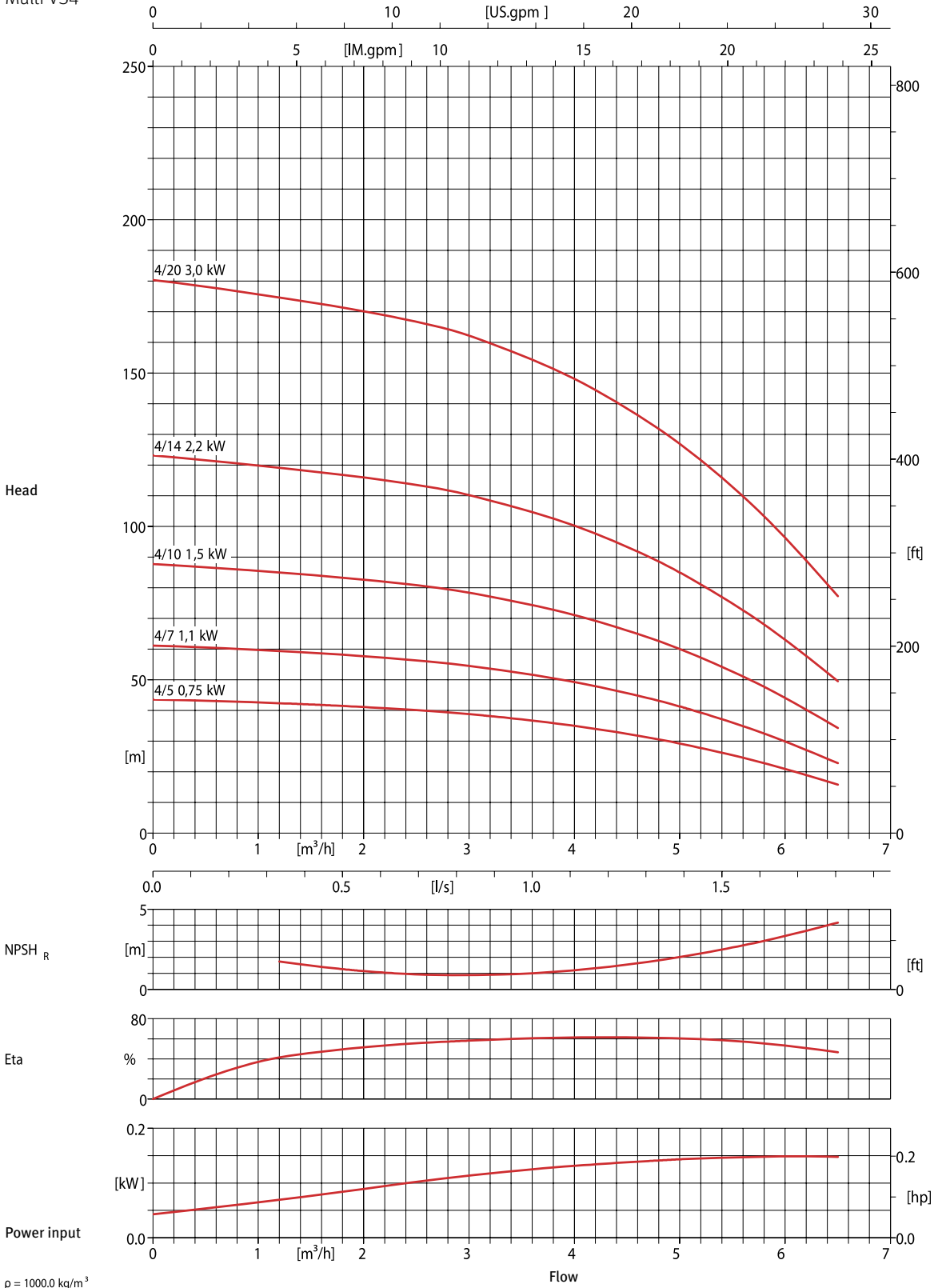
Dimension flange according regulation DIN 2566

Flange	DN	PN	A	B	C	D	E	F	G	H	Nº drills	Metric
DN 32	Rp 1 1/4"	25 bar	140	16	26	60	78	2	100	18	4	M16
DN 40	Rp 1 1/2"	25 bar	150	16	26	70	88	3	110	18	4	M16
DN 50	Rp 2"	25 bar	165	18	28	85	102	3	125	18	4	M16



Performance curve at 2900 rpm

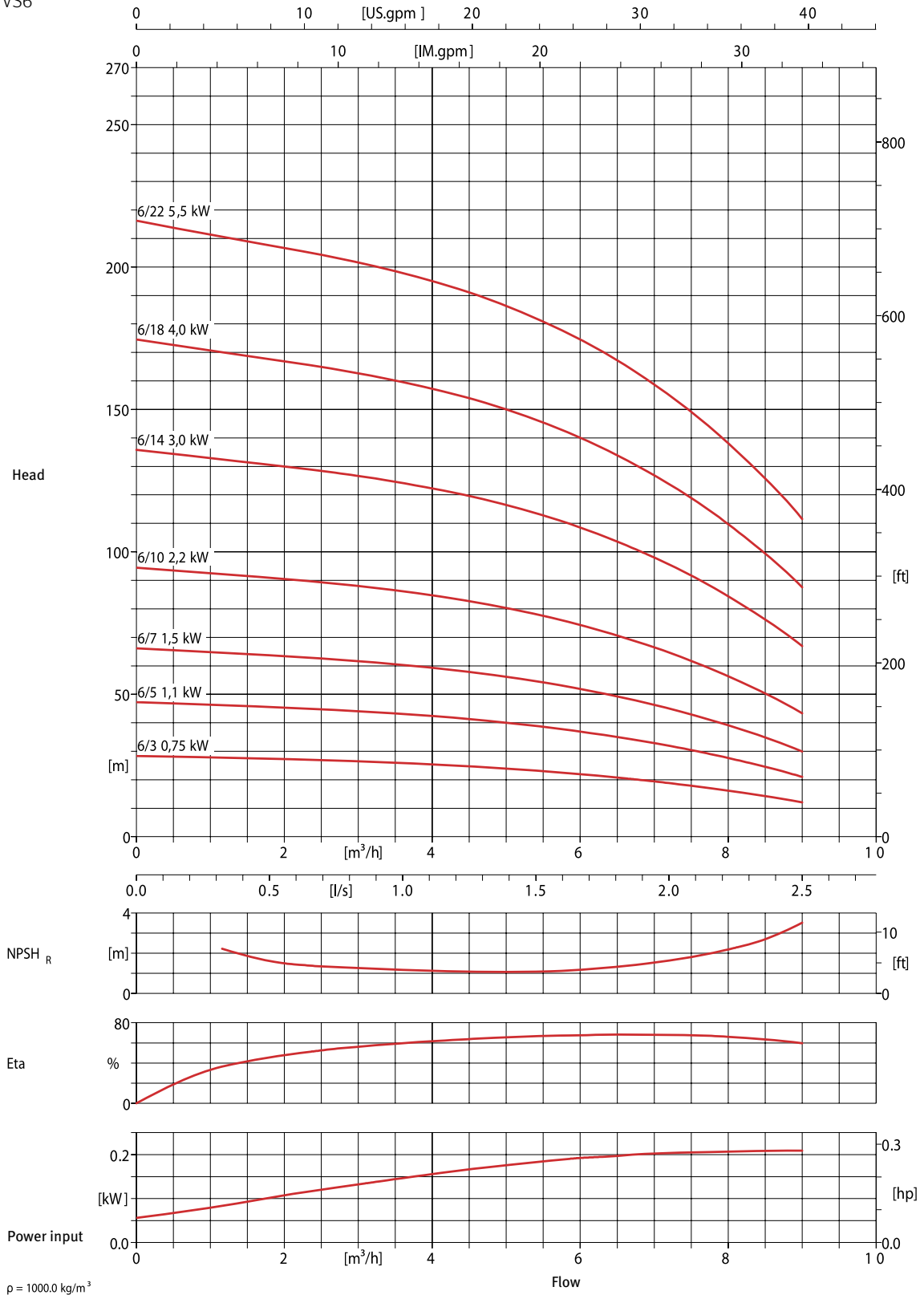
Multi VS4



$\rho = 1000.0 \text{ kg/m}^3$

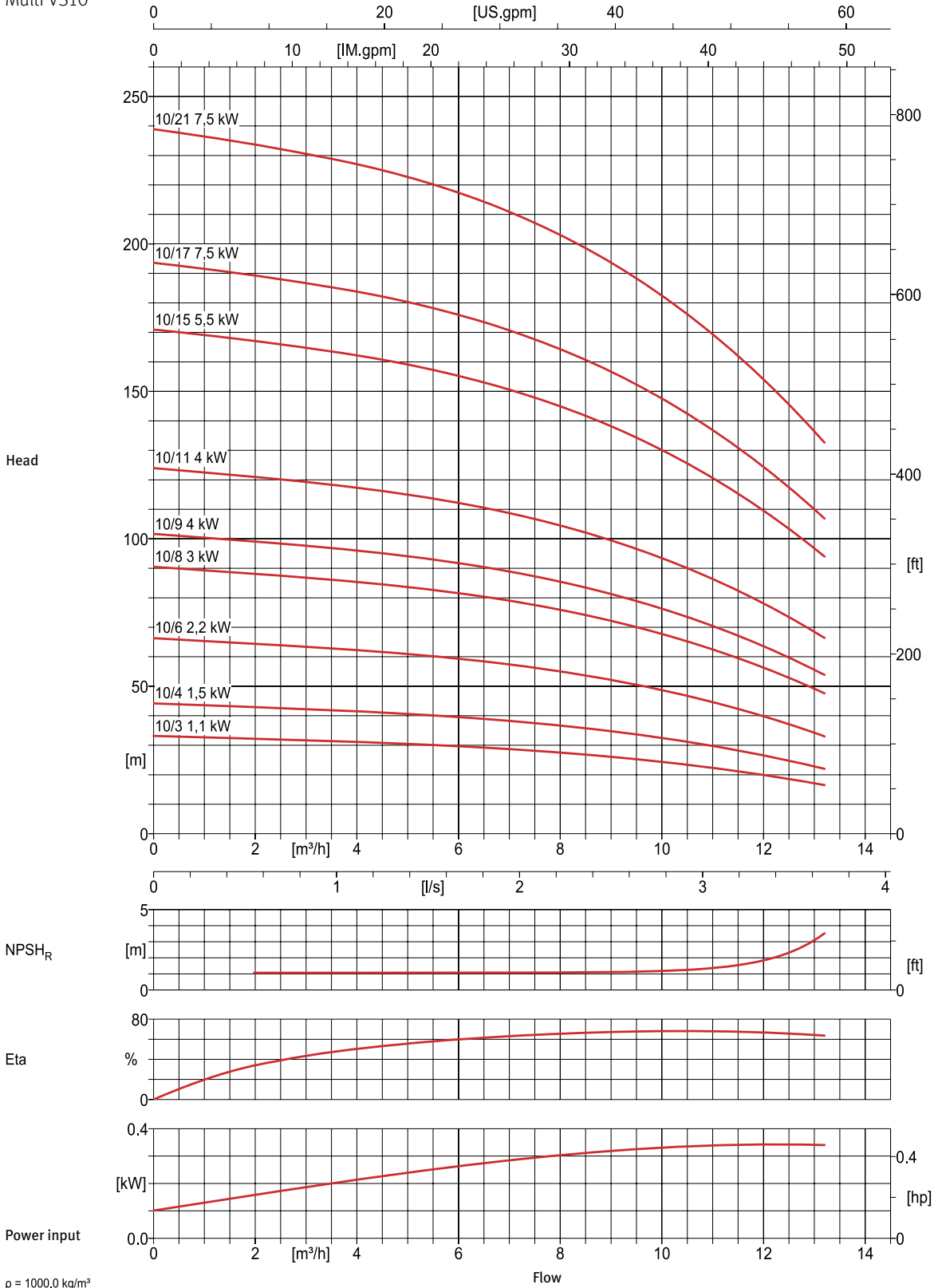
Performance curve at 2900 rpm

Multi VS6



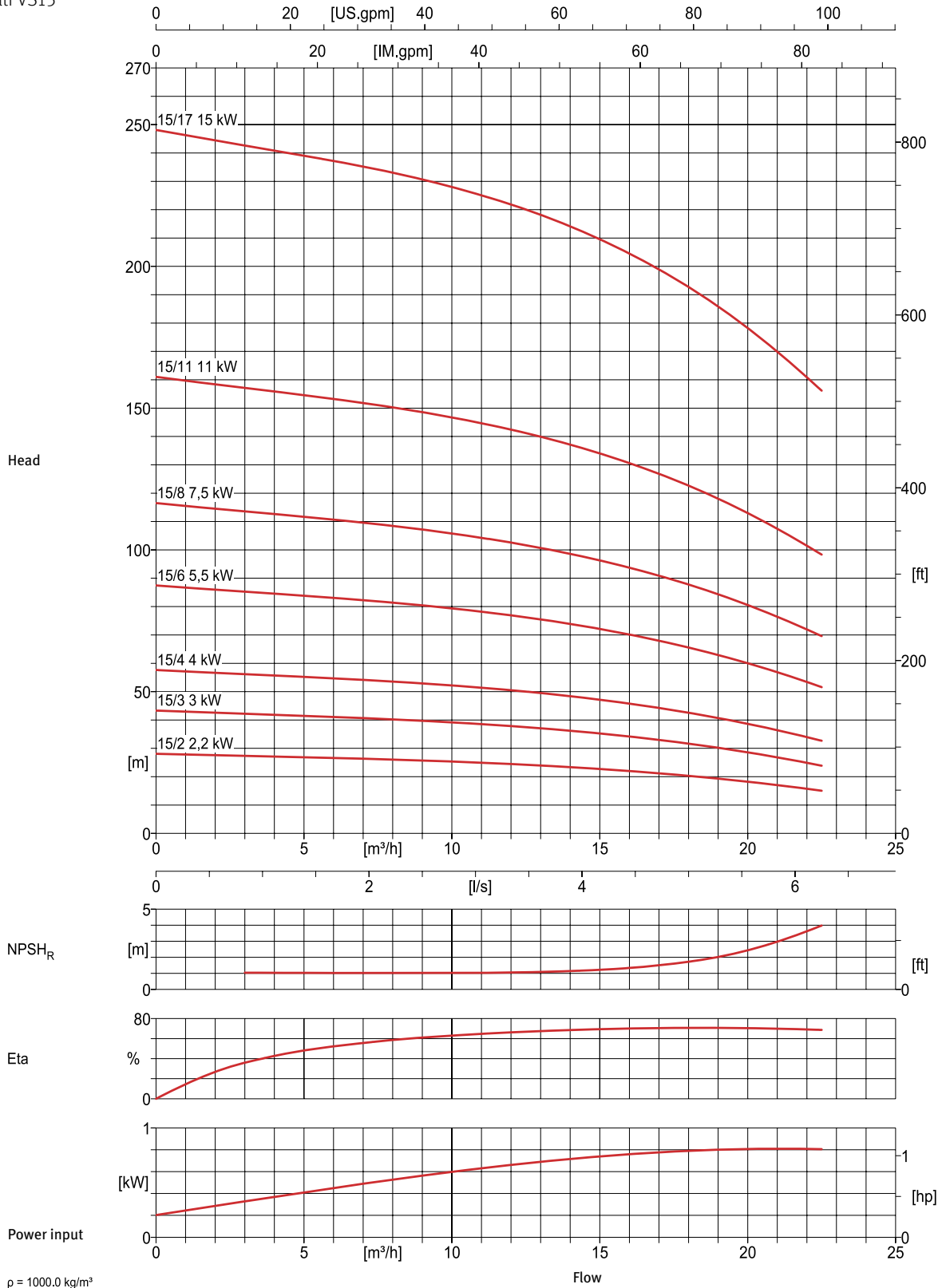
Performance curve at 2900 rpm

Multi VS10



Performance curve at 2900 rpm

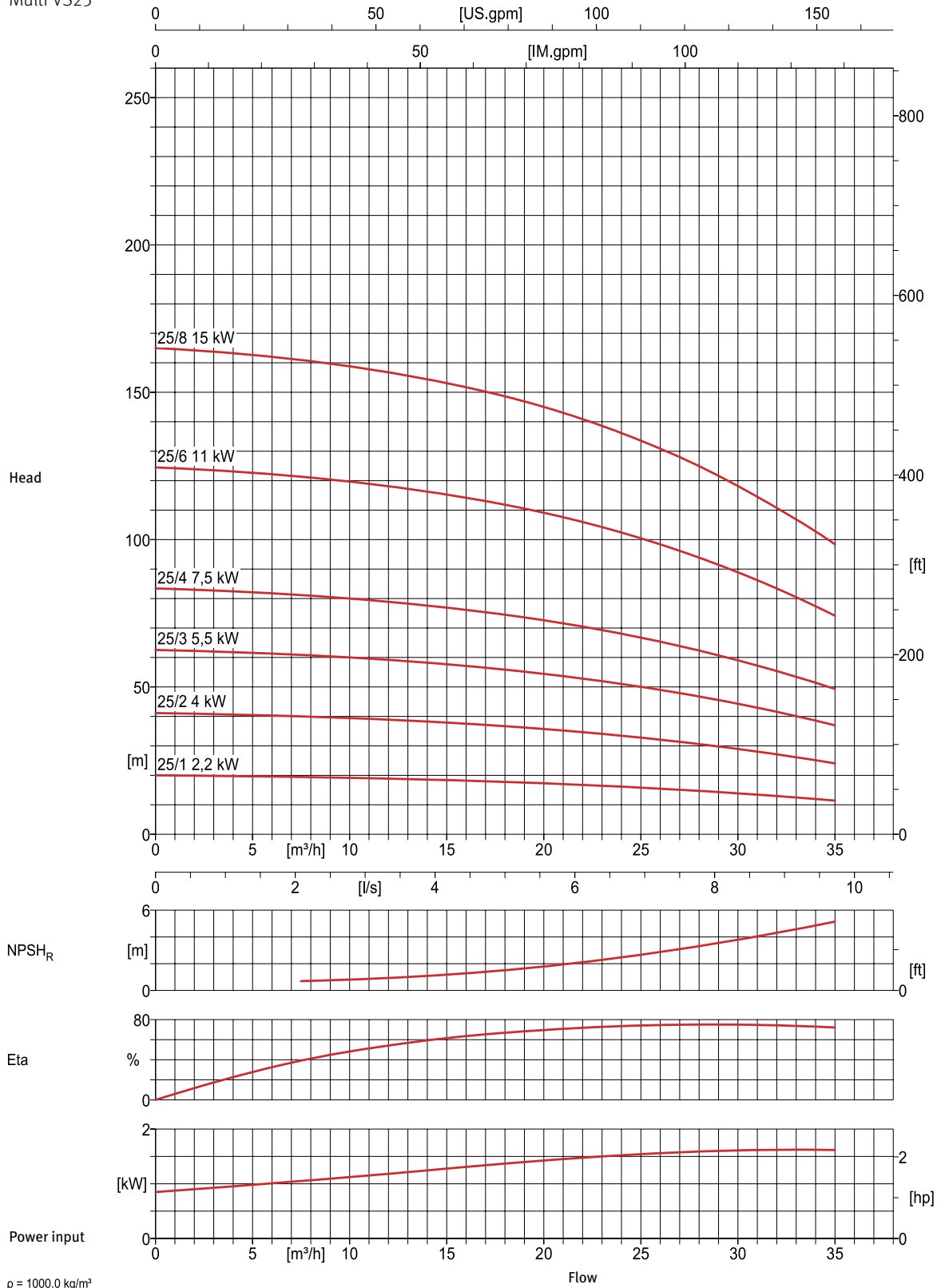
Multi VS15



$\rho = 1000.0 \text{ kg/m}^3$

Performance curve at 2900 rpm

Multi VS25



Automatic start and stop device

Applications

Assembled on a pump, automatic start and stop based on water demand.
Adjustable starting pressure range from 1,5 to 2,5 bar.

Materials

Plastic components in technopolymer.
Internal membrane in EPDM.

Equipment

Built-in check valve.
Unions included.
Model NP with cables without plug.
Dry-run protection.
Automatic reset function.

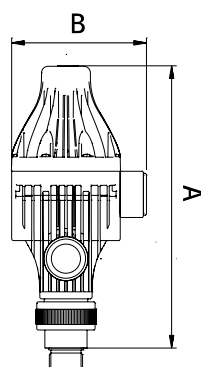


Feature table

Model	I [A] max.	Hz	Protection	Maximum pressure	Starting pressure	Differential pressure	Stopping pressure	Max. temp. [°C]	Ø Connection	Code
										1~230V (Model NP)
Pressdrive	12	50/60	IP X5	10 bar	1,5 - 2,5 bar	≥ 0,7 bar	Max. given by the pump	40	1"	00205333

Dimension and weight

Model	A	B	Kg
Pressdrive	281	134	1,5



Automatic start and stop device

Applications

Assembled on a pump, automatic start and stop based on water demand.
Adjustable starting pressure range from 1,5 to 2,5 bar.

Materials

Plastic components in technopolymer.
Internal membrane in EPDM.

Equipment

Built-in check valve.
Unions included.
Model NP with cables without plug.
Dry-run protection.
Automatic reset function.

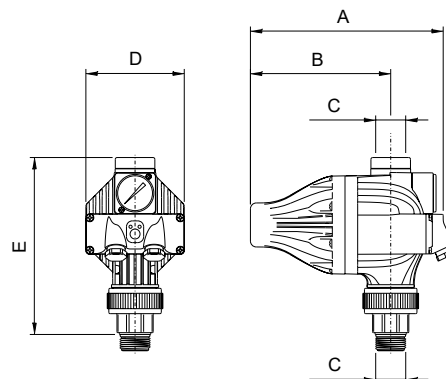


Feature table

Model	I [A] max.	Hz	Protection	Maximum pressure	Starting pressure	Differential pressure	Stopping pressure	Max. temp. [°C]	Ø Connection	Code
										1~230V (Model NP)
Pressdrive 05	12	50/60	IPX5	10 bar	1,5 - 2,5 bar	≥ 1 bar	Max. given by the pump	40	1"	00205331

Dimension and weight

Model	A	B	C	D	E	Kg
Pressdrive 05	213	155	1"	108	195	1,5



Variable frequency drive

Applications

Assembled on a pump, booster set or installed on the wall, adjust the speed automatically to maintain the constant pressure and flow that apartment, building or installation demands at every moment.



Materials

Body in aluminium.
Front cover in technopolymer.

Equipment and features

IPX5 protection.
Maximum ambient temperature 40 °C.
Air cooled motor.
Maximum 4 pumps.
USB port for updating the device's firmware.
Adjustable working frequency.
Inputs:
- 1 analogue 4-20mA with 24V DC power supply.
- 1 digital for the level switch.
Outputs:
- 1 alarm signal.
- Potential-free output (FVC), maximum 1A, NA/NC contacts.
Communication serial port RS 485.
M22 with 2m of cable with plug type F.
T22 and T55 no cable.



Protections

Dry-run protection with automatic reset.
Detection of pressure transducer failure.
Overcurrent and short-circuit with automatic reset.
Power supply voltage with automatic reset.
Internal overtemperature with automatic reset.
Earthing and motor phase error.
Communication error.



Pressure transducer*
Device for digital pressure reading

Feature table

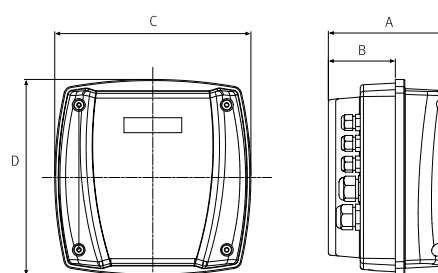
Model	Input				Output				Code
	Power source voltage [V]	Power frequency [Hz]	Maximum motor current [A]	Recommended line protection [A]	Maximum motor power [kW]	Maximum motor current [A]	Motor voltage [V]	Motor frequency [Hz]	
Speedrive V2 M22	1~ 220V	50/60	16	25	2,2	10	3~ 220V	50/60	00203323
Speedrive V2 T22	3~ 440V	50/60	7	10	2,2	6	3~ 440V	50/60	00205490
Speedrive V2 T55	3~ 440V	50/60	15	20	5,5	14	3~ 440V	50/60	00203321

Accessories

Model	Code
Pressure transducer 4- 20 mA 1/4 G 10 bar	00176579
Wall installation kit	00209380

Dimension and weight

Model	A	B	C	D	Kg
Speedrive V2 M22	178	71	207	207	3,4
Speedrive V2 T22	142	85	207	207	2,7
Speedrive V2 T55	142	85	207	207	2,7



*Pressure transducer is required for operation.

Automatic centrifugal multistage pump for water supply

Applications

Automatic pumping of clean water for domestic, industrial, agricultural and gardening purposes.
Silent.
Self-priming up to 2m.
Starting pressure 2 bar.

Materials

Pump body and impellers in AISI 304.
Pump shaft in AISI 431.
Diffusers in technopolymer.
Mechanical seal.
Motor casing in aluminium.
O-rings in NBR/EPDM.

Equipment

Built-in check valve.
2m of cable with plug type F.
Pressure gauge included.
Dry-run protection.
Automatic reset function.

Motor

Asynchronous 2 poles.
IPX5 protection.
Class F insulation.
Built-in thermal protection.
Continuous operation.

Limitations

Maximum water temperature 40 °C.

Operation

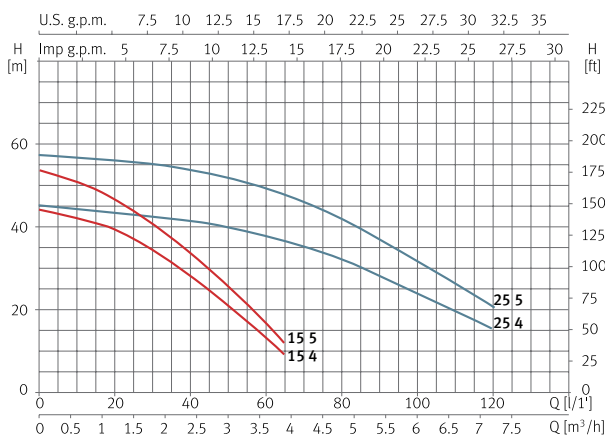
Automatic start and stop based on water demand.



Hydraulic performance table

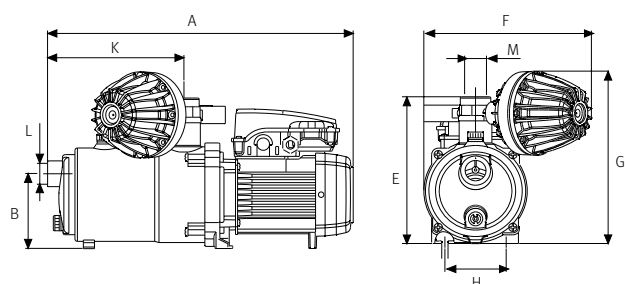
Model	I [A]	P1 [kW]	P2		c [μF]	l/min m³/h	15	30	45	60	75	90	105	120	Code
	1~ 230V	1~	[kW]	[HP]			0,9	1,8	2,7	3,6	4,5	5,4	6,3	7,2	
Tecnopres 15 4	3,5	0,79	0,55	0,75	12	mvc	40	35	24	14	-	-	-	-	00097535
Tecnopres 15 5	4,1	0,95	0,75	1	12		48	42	29	17	-	-	-	-	00097537
Tecnopres 25 4	6,8	1,5	0,9	1,2	16		43	42	40	37	33	28	22	15	00097539
Tecnopres 25 5	7,4	1,7	1,1	1,5	25		56	55	53	48	43	37	29	20	00097541

Performance curve at 2900 rpm



Dimension and weight

Model	A	B	E	F	G	H	K	L	M	Kg
Tecnopres 15 4	465	108	217	241	254	102	219	1"	1"	10,7
Tecnopres 15 5	465	108	217	241	254	102	219	1"	1"	11,2
Tecnopres 25 4	533	180	217	241	254	118	243	1"	1"	13,5
Tecnopres 25 5	533	108	217	241	254	118	243	1"	1"	15,7



Automatic submersible monoblock centrifugal multistage pump for water supply

Applications

Automatic pumping of clean water for domestic, industrial, agricultural and gardening purposes.
Suitable for open wells, ponds and tanks.
Starting pressure 2 bar.

Materials

Pump body, suction, discharge, filter and impellers in AISI 304.
Pump shaft in AISI 431.
Diffusers in technopolymer.
Double mechanical seal.
O-rings in NBR/EPDM.

Equipment

Built-in check valve.
15m of cable without plug.
Internal capacitor.
Kit Press included.
Dry-run protection.
Automatic reset function.

Motor

Asynchronous 2 poles.
IP68 protection.
Class F insulation.
Continuous operation.
Water cooled motor.
Built-in thermal protection.

Limitations

Maximum water temperature 40 °C.
Maximum submersion 12m.

Operation

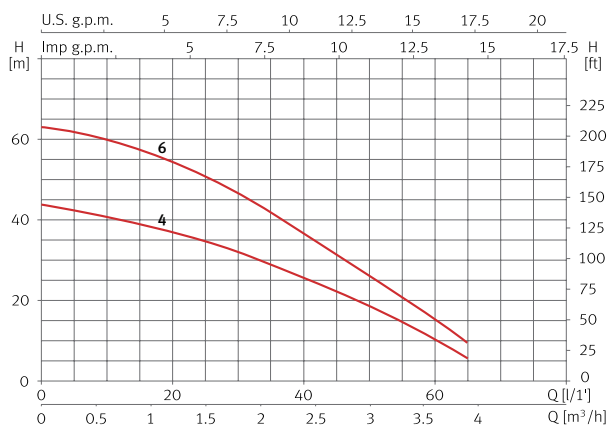
Automatic start and stop based on water demand.



Hydraulic performance table

Model	I [A]	P1 [kW]	P2		c [μF]	l/min	10	20	30	40	50	60	65	Code
	1~230V	1~	[kW]	[HP]		m³/h	0,6	1,2	1,8	2,4	3,0	3,6	3,9	
Acuapres 07S 4	4	0,8	0,55	0,75	12	mwc	41	37	32	26	19	10	6	00209179
Acuapres 07S 6	6,2	1,2	0,9	1,2	12		60	55	47	37	26	15	9	00210154

Performance curve at 2900 rpm



Dimension and weight

Model	A	B	C	Kg
Acuapres 07S 4	502	125	1"	10,6
Acuapres 07S 6	569	125	1"	12,4



Automatic centrifugal multistage pump with variable speed for water supply

Applications

Automatic pumping of clean water for domestic, industrial, agricultural and gardening purposes.
Silent.
Self-priming up to 2m.
Adjustable working pressure range from 1,5 to 3,5 bar.

Materials

Pump body and impellers in AISI 304.
Pump shaft in AISI 431.
Diffusers in technopolymer.
Mechanical seal.
Motor casing in aluminium.
O-rings in NBR/EPDM.

Equipment

Built-in check valve.
Built-in pressure sensor.
2m of cable with plug type F.
Kit Press and pressure gauge included.
Dry-run protection.
Automatic reset function.

Motor

Asynchronous 2 poles.
IPX5 protection.
Class F insulation.
Built-in thermal protection.
Continuous operation.

Limitations

Maximum water temperature 40 °C.

Operation

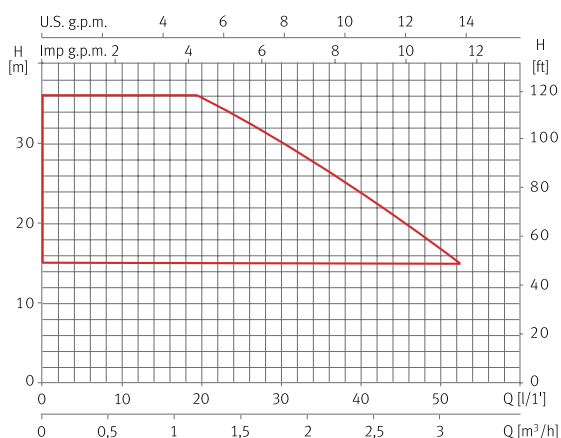
Variable speed to maintain the constant pressure and flow that apartment, building or installation demands at every moment.



Hydraulic performance table

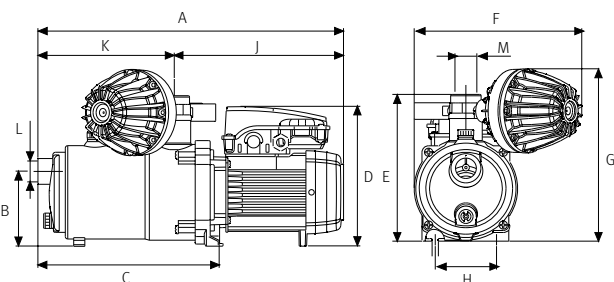
Model	I [A]	P1 [kW]	P2		c [μF]	l/min	5	10	30	45	50	Code
	1~230V	1~	[kW]	[HP]		m³/h	0,3	0,6	1,8	2,7	3	
Tecnoplus 15 4	3,3	0,75	0,55	0,75	12	mwc	36	36	30	21	16,5	00131059

Performance curve



Dimension and weight

Model	A	B	C	D	E	F	G	H	J	K	L	M	Kg
Tecnoplus 15 4	439	108	261	200	216	241	254	88	243	196	1"	1"	10,5



Tecnoplus 25 **Supply | Booster**



Automatic centrifugal multistage pump with variable speed for water supply

Applications

Automatic pumping of clean water for domestic, industrial, agricultural and gardening purposes.
Silent.
Self-priming up to 2m.
Adjustable working pressure range from 1,5 to 4 bar.

Materials

Pump body and impellers in AISI 304.
Pump shaft in AISI 431.
Diffusers in technopolymer.
Mechanical seal.
Motor casing in aluminium.
O-rings in NBR/EPDM.

Equipment

Built-in check valve.
Built-in pressure sensor.
2m of cable with plug type F.
Kit Press and pressure gauge included.
Dry-run protection.
Automatic reset function.

Motor

Asynchronous 2 poles.
IPX5 protection.
Class F insulation.
Built-in thermal protection.
Continuous operation.

Limitations

Maximum water temperature 40 °C.

Operation

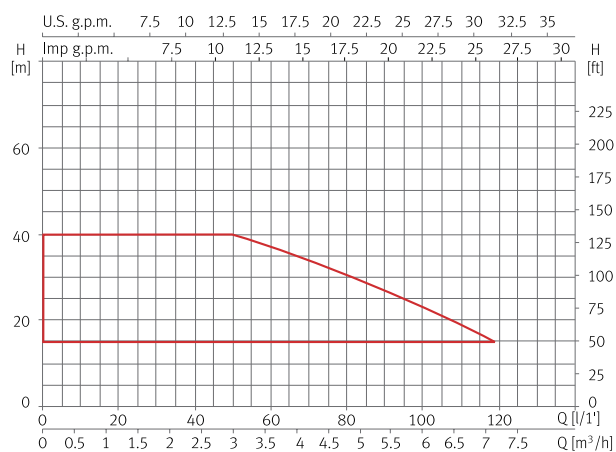
Variable speed to maintain the constant pressure and flow that apartment, building or installation demands at every moment.



Hydraulic performance table

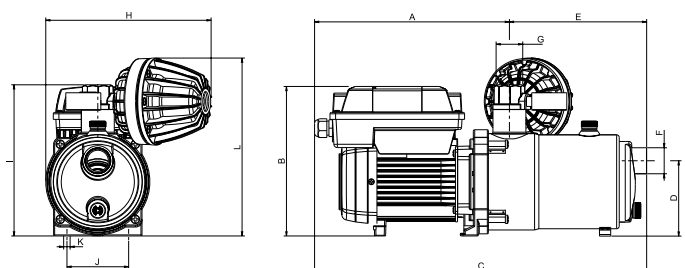
Model	I [A]	P1 [kW]	P2		l/min	45	60	75	90	110	Code
	1~230V	1~	[kW]	[HP]	m³/h	2,7	3,6	4,5	5,4	6,6	1~230V (Model M)
Tecnoplus 25 4	8,8	1,4	0,9	1,2	mwc	40	37	33	25	19	00167577

Performance curve



Dimension and weight

Model	A	B	C	D	E	F/G	H	I	J	K	L	Kg
Tecnoplus 25 4	278	221	468	107	190	1"	149	216	88	Ø9	254	15,5



Automatic submersible monoblock centrifugal multistage pump with variable speed for water supply

Applications

Automatic pumping of clean water for domestic, industrial, agricultural and gardening purposes.
 Suitable for open wells, ponds and tanks.
 Adjustable working pressure range from 1,5 to 4 bar.

Materials

Pump body, suction, discharge, filter and impellers in AISI 304.
 Pump shaft in AISI 431.
 Diffusers in technopolymer.
 Double mechanical seal.
 O-rings in NBR/EPDM.

Equipment

Built-in check valve.
 15m of cable with plug type F.
 Internal capacitor.
 Driver, pressure sensor, Kit Press and pressure gauge included.
 Dry-run protection.
 Automatic reset function.

Motor

Asynchronous 2 poles.
 IP68 protection.
 Class F insulation.
 Continuous operation.
 Water cooled motor.
 Built-in thermal protection.

Limitations

Maximum water temperature 40 °C.
 Maximum submersion 12m.

Operation

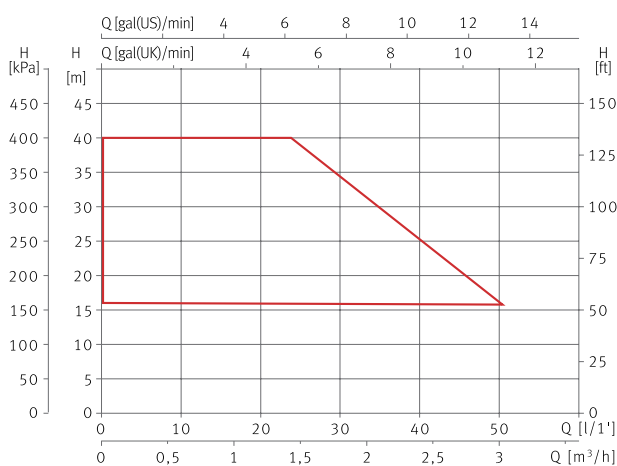
Variable speed to maintain the constant pressure and flow that apartment, building or installation demands at every moment.



Hydraulic performance table

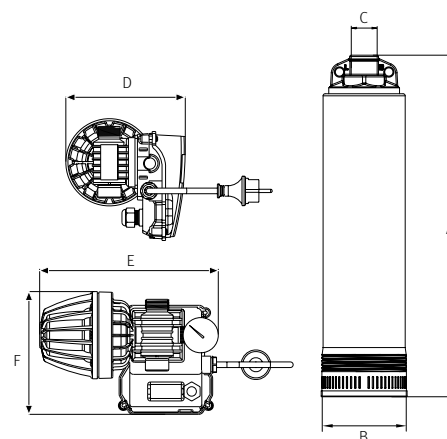
Model	I [A]	P1 [kW]	P2		c [μF]	l/min	10	20	30	40	50	Code
	1~230V	1~	[kW]	[HP]		m³/h	0,6	1,2	1,8	2,4	3	
Acuaplus	4,7	1	0,75	1	12	mwc	40	40	34	25	16	00210164

Performance curve



Dimension and weight

Model	A	B	C	D	E	F	Kg
Acuaplus	526	128	1"	170	254	175	11,5



Automatic set with fixed speed for water supply

Applications

To restore system pressure when the mains supply is insufficient, a pump may be used. However to comply with Water Authority Byelaws, a break tank must be incorporated, as the pump may not be connected directly to the mains water supply.

The ESPA Sub-tank system has been designed to solve this problem. A fully automatic unit, the Sub-Tank has a submersible stainless steel pump incorporated into the break tank giving space saving advantages in small plant rooms. Control is provided by a constant pressure device, with a built in pressure gauge. Electronics prevent starting without water. Installation is straightforward, with only three connection required.

Dimensions

490 mm x 585 mm x 1675 mm height.
Outlet connection 1" BSPF.

Materials and equipment

Polyethylene break tanks (EN 13077).

Fitted with a 3/4" ball valve and type "AB" air gap, protecting incoming mains supply from a class 5 designated risk of contamination.

Pressure starts and stops pump automatically which supplies water at constant pressure. Prevents starting in the absence of water and avoids water hammer. Does not require any maintenance or pre-charge.

Limitations

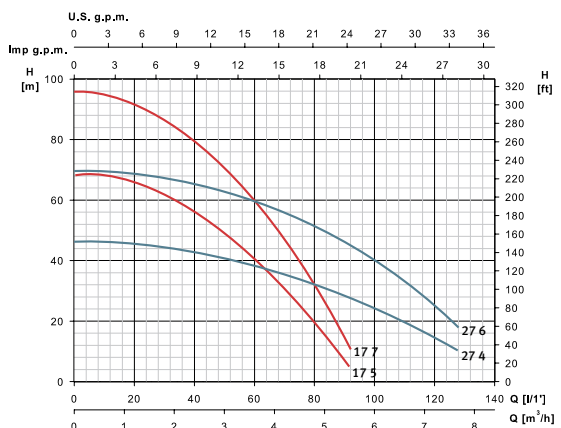
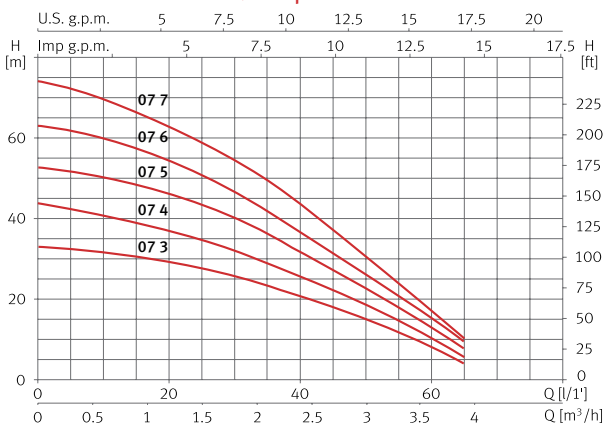
Start pressure 1.5 -3 Bar (adjustable).
Working pressure range 2 - 8 Bar.
Maximum temperature 40 °C.
Maximum working pressure 10 Bar.
Noise levels are 65dB when filling set of water and 60 dB when pump set is running at 1 metre.
PS = Pressure switch version.



Hydraulic performance table

Model	I [A]	P1 [kW]	P2		Tank capacity in liters	Dry Weight [Kg]	Code
	1~ 230V	1~	[kW]	[HP]			1~230V (Model M)
Sub-tank 07 3M 100L PS05	2.9	0.6	0.37	0.5	100	44	00830027
Sub-tank 07 3M 270L	2.9	0.6	0.37	0.5	270	44	00830028
Sub-tank 07 4M 270L	4	0.8	0.55	0.75	270	45	00830030
Sub-tank 07 5M 270L	4.7	1	0.75	1	270	46	00830031
Sub-tank 07 6M 270L	6.2	1.2	0.9	1.2	270	47	00830032
Sub-tank 07 7M 270L	6.5	1.4	1.1	1.5	270	48	00830033
Sub-tank 17 5M 270L	7.4	1.6	0.9	1.2	270	49	00830034
Sub-tank 17 7M 270L PS	10.7	2.2	1.5	2	270	50	00830035
Sub-tank 27 4M 270L	7	1.5	0.9	1.2	270	52	00830036
Sub-tank 27 6M 270L PS	10.8	2.2	1.5	2	270	53	00830037

Performance curve at 2900 rpm



Automatic set with variable speed for water supply

Applications

To restore system pressure when the mains supply is insufficient, a pump may be used. However to comply with Water Authority Byelaws, a break tank must be incorporated, as the pump may not be connected directly to the mains water supply.

The ESPA Sub-tank system has been designed to solve this problem. A fully automatic unit, the Sub-Tank has a submersible stainless steel pump with a built-in pressure control incorporated into the break tank giving space saving advantages in small plant rooms. An in-line inverter with built in pressure transducer provides control. Electronics prevent pump starting without water and the digital displays online pump operation, standby and fault status. Installation is straightforward, with only three connections required.

Limitations

The pressure vessel requires a pre-charge with air 0.3 -0.5 bar below the working pressure.
Adjustable working pressure 2 – 8 Bar.
Maximum temperature 40 °C.
Maximum working pressure 10 Bar.
Noise levels are 65dB when filling set of water and 60 dB when pump set is running at 1 metre.

Materials

Polyethylene break tanks (BS 4213).
Byelaw 30 top tank fitted with 3/4” ball valve complying with (Byelaw 11) type “AA & AB” air gap, protecting incoming mains supply from a class 5 designated risk of contamination (Byelaw 25).
Inverter starts and stops pump automatically and supplies water at a constant pressure.

Prevents starting in the absence of water and avoids water hammer.
Inverter displays rotation frequency, system pressure, motor absorption & pump alarm.

Dimensions

635 mm x 510 mm x 1750 mm height.
Outlet connection 1” BSPF.

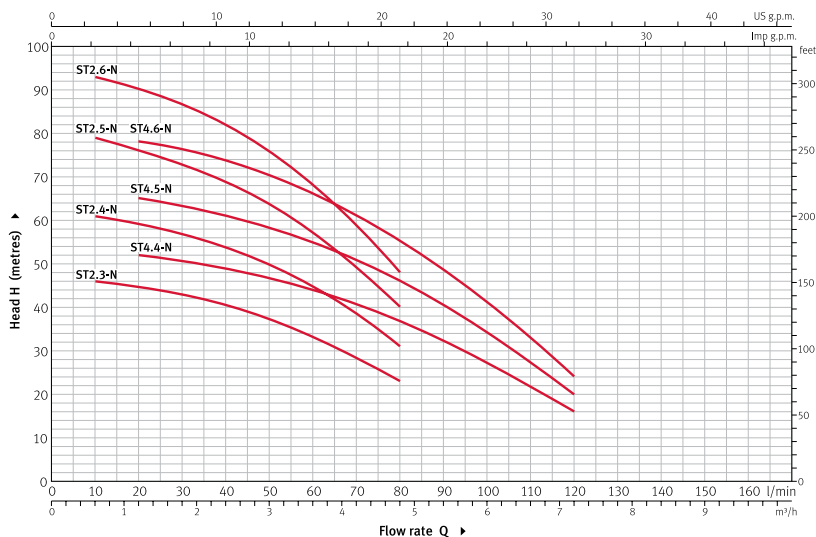


Hydraulic performance table

Model	P2		Tank capacity in liters	Code
	[kW]	[HP]		1~230V (Model M)
Sub-tank ST2 3-N 270L I	0.55	0.75	270	00830045
Sub-tank ST2 4-N 270L I	0.75	1	270	00830046
Sub-tank ST2 5-N 270L I	1.1	1.5	270	00830047
Sub-tank ST2 6-N 270L I	1.5	2	270	00830048
Sub-tank ST4 4-N 270L I	0.75	1	270	00830049
Sub-tank ST4 5-N 270L I	1.1	1.5	270	00830050
Sub-tank ST4 6-N 270L I	1.5	2	270	00830051

*Three phase options available on request

Performance curve at 2900 rpm



Automatic booster set with variable speed for water supply

Applications

Automatic pumping of clean water for domestic, industrial, agricultural and gardening purposes.
Adjustable working pressure.

Materials

Multi:

Pump body and impellers in AISI 304.
Pump shaft in AISI 420.
Diffusers in technopolymer.
Suction and discharge in cast iron.
Mechanical seal.
Motor casing in aluminium.
O-rings in NBR/EPDM.

Manifolds: AISI 304.

Valves and fittings: Brass.

Equipment included

Pump.
Speedrive V2.
Discharge manifold.
Control panel.
Valves.
Fittings.
Check valves.
Pressure tank (20l).
Pressure transducer.
Metallic base.

Motor

Asynchronous 2 poles.
IPX5 protection.
Class F insulation.
Continuous operation.

Limitations

Maximum water temperature 40 °C.

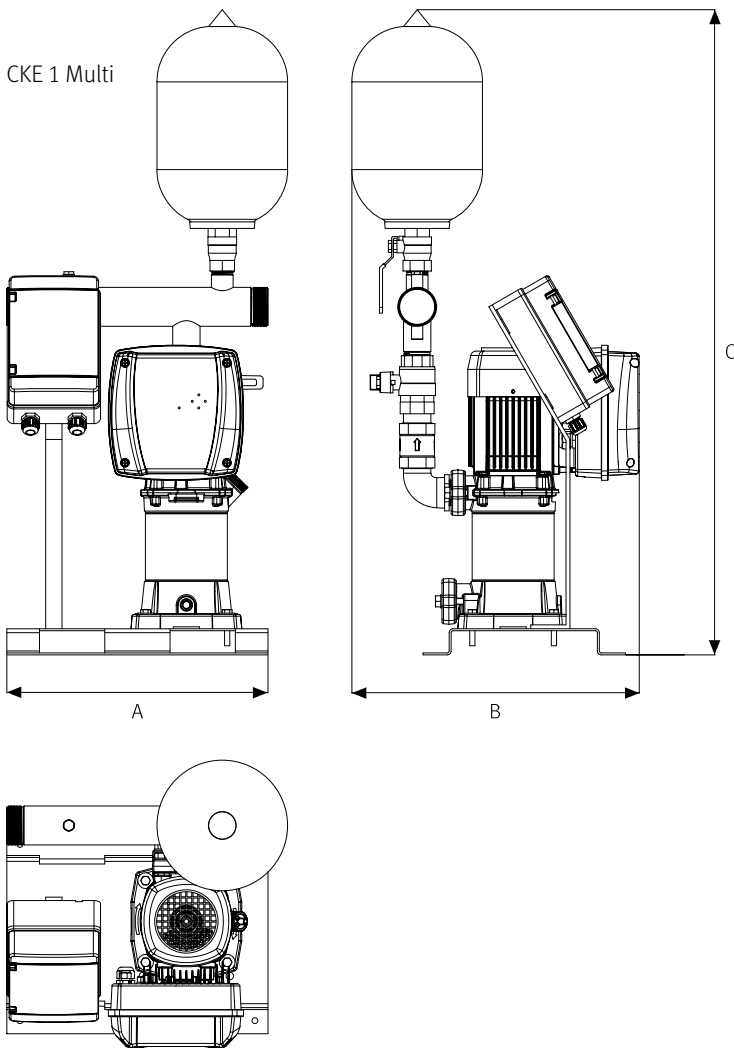
Functions and protections

Dry-run protection with automatic reset function.
Detection of pressure transducer failure.
Overcurrent and short-circuit with automatic reset.
Power supply voltage with automatic reset.
Internal overtemperature with automatic reset.
Earthing and motor phase error.
Communication error.

Operation

Variable speed to maintain the constant pressure and flow that apartment, building or installation demands at every moment.





Technical features, dimension and weight

Model	Maximum head [m]	Maximum flow [m³/h]	P2 [kW]	Speedrive V2	Ø Pump		Ø Discharge manifold	Dimensions			Weight [Kg]	Code 1~230V (Model M)
					Suc.	Dis.		A	B	C		
CKE 1M Multi 25 4	59	5	0,75	M22	1 1/4"	1 1/4"	2"	400	440	975	30	00176824
CKE 1M Multi 25 5	74	5	0,9	M22	1 1/4"	1 1/4"	2"	400	440	994	30	00176826
CKE 1M Multi 35 4	55	10,5	1,1	M22	1 1/2"	1 1/4"	2"	400	464	1022	35	00176828
CKE 1M Multi 35 5	67	10,5	1,5	M22	1 1/2"	1 1/4"	2"	400	464	1045	38	00176830
CKE 1M Multi 35 6	83	10,5	2,2	M22	1 1/2"	1 1/4"	2"	400	464	1071	38	00205264

Model	Maximum head [m]	Maximum flow [m³/h]	P2 [kW]	Speedrive V2	Ø Pump		Ø Discharge manifold	Dimensions			Weight [Kg]	Code 3~400V (Model T)
					Suc.	Dis.		A	B	C		
CKE 1 Multi 25 4	59	5	0,75	T22	1 1/4"	1 1/4"	2"	400	440	975	30	00176450
CKE 1 Multi 25 5	74	5	0,9	T22	1 1/4"	1 1/4"	2"	400	440	994	30	00176825
CKE 1 Multi 35 4	55	10,5	1,1	T22	1 1/2"	1 1/4"	2"	400	464	1022	35	00176827
CKE 1 Multi 35 5	67	10,5	1,5	T22	1 1/2"	1 1/4"	2"	400	464	1045	38	00176829
CKE 1 Multi 35 6	83	10,5	2,2	T22	1 1/2"	1 1/4"	2"	400	464	1071	38	00176831
CKE 1 Multi 35 8	110	10,5	3	T55	1 1/2"	1 1/4"	2"	400	500	1120	45	00176832
CKE 1 Multi 55 4	51	18	2,2	T22	1 1/2"	1 1/4"	2"	400	500	1127	42	00176835
CKE 1 Multi 55 6	79	18	3	T55	1 1/2"	1 1/4"	2"	400	533	1206	51	00176836
CKE 1 Multi 55 7	93	18	4	T55	1 1/2"	1 1/4"	2"	400	533	1250	55	00176837

Automatic booster set with variable speed for water supply

Applications

Automatic pumping of clean water for domestic, industrial, agricultural and gardening purposes.
Adjustable working pressure.

Materials

Multi and Multi VE:

Pump body and impellers in AISI 304.
Pump shaft in AISI 420.
Diffusers in technopolymer.
Suction and discharge in cast iron.
Mechanical seal.
Motor casing in aluminium.
O-rings in NBR/EPDM.

Manifolds: AISI 304.

Valves and fittings: Brass.

Equipment included

Pump (x2).
Speedrive V2 (x2).
Discharge manifold.
Optional suction manifold.
Control panel.
Valves.
Fittings.
Check valves.
Pressure tank (20l).
Pressure transducer.
Metallic base.

Motor

Asynchronous 2 poles.
IPX5 protection.
Class F insulation.
Continuous operation.

Limitations

Maximum water temperature 40 °C.

Functions and protections

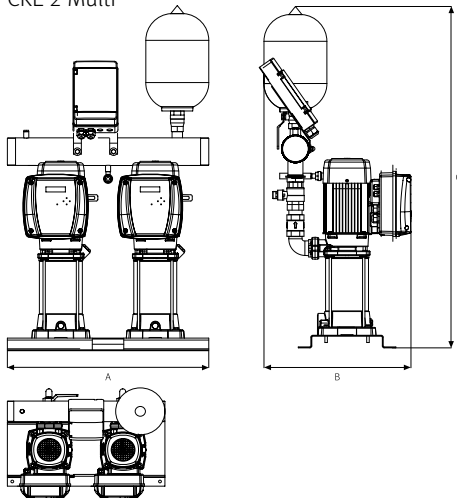
Dry-run protection with automatic reset function.
Detection of pressure transducer failure.
Overcurrent and short-circuit with automatic reset.
Power supply voltage with automatic reset.
Internal overtemperature with automatic reset.
Earthing and motor phase error.
Communication error.

Operation

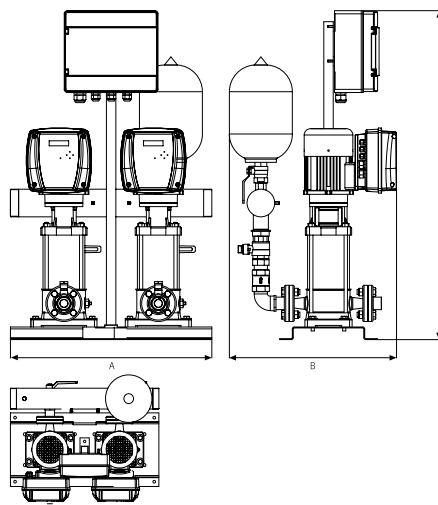
Variable speed to maintain the constant pressure and flow that apartment, building or installation demands at every moment.



CKE 2 Multi



CKE 2 Multi VE



Technical features, dimension and weight

Model	Maximum head [m]	Maximum flow [m³/h]	P2 [kW]	Speedrive V2	Ø Pump		Ø Discharge manifold	Dimensions			Weight [Kg]	Code
					Suc.	Dis.		A	B	C		
CKE 2M Multi 25 4	59	10	0,75	M22	1 1/4"	1 1/4"	2"	640	440	975	56	00176761
CKE 2M Multi 25 5	74	10	0,92	M22	1 1/4"	1 1/4"	2"	640	440	994	57	00176762
CKE 2M Multi 35 4	55	21	1,1	M22	1 1/2"	1 1/4"	2"	640	464	1022	66	00176763
CKE 2M Multi 35 5	67	21	1,5	M22	1 1/2"	1 1/4"	2"	640	464	1045	72	00176764
CKE 2M Multi 35 6	83	21	2,2	M22	1 1/2"	1 1/4"	2"	640	464	1071	73	00205266

Model	Maximum head [m]	Maximum flow [m³/h]	P2 [kW]	Speedrive V2	Ø Pump		Ø Discharge manifold	Dimensions			Weight [Kg]	Code
					Suc.	Dis.		A	B	C		
CKE 2 Multi 25 4	59	10	0,75	T22	1 1/4"	1 1/4"	2"	640	440	975	56	00176452
CKE 2 Multi 25 5	74	10	0,92	T22	1 1/4"	1 1/4"	2"	640	440	994	57	00176744
CKE 2 Multi 35 4	55	21	1,1	T22	1 1/2"	1 1/4"	2"	640	464	1022	66	00176753
CKE 2 Multi 35 5	67	21	1,5	T22	1 1/2"	1 1/4"	2"	640	464	1045	72	00176754
CKE 2 Multi 35 6	83	21	2,2	T22	1 1/2"	1 1/4"	2"	640	464	1071	73	00176755
CKE 2 Multi 35 8	110	21	3	T55	1 1/2"	1 1/4"	2"	640	500	1120	87	00176756
CKE 2 Multi 35 10	138	21	4	T55	1 1/2"	1 1/4"	2"	640	500	1170	106	00176757
CKE 2 Multi 55 4	51	36	2,2	T22	1 1/2"	1 1/4"	3"	640	500	1127	79	00176758
CKE 2 Multi 55 6	79	36	3	T55	1 1/2"	1 1/4"	3"	640	533	1206	97	00176759
CKE 2 Multi 55 7	93	36	4	T55	1 1/2"	1 1/4"	3"	640	533	1250	106	00176760

Model	Ø Manifold	Ø Valves	Ø Flanges	Code
Suction kit for CKE 2 Multi 25	2"	1 1/4"	1 1/4"	00199701
Suction kit for CKE 2 Multi 35	2"	1 1/2"	1 1/2"	00199702
Suction kit for CKE 2 Multi 55	3"	1 1/2"	1 1/2"	00199703

Model	Maximum head [m]	Maximum flow [m³/h]	P2 [kW]	Speedrive V2	Ø Pump		Ø Discharge manifold	Dimensions			Weight [Kg]	Code
					Suc.	Dis.		A	B	C		
CKE 2 Multi VE 94 6	58	27	1,5	T22	44	44	3"	650	550	1038	84	00203937
CKE 2 Multi VE 94 8	77	27	2,2	T22	44	44	3"	650	550	1138	91	00203938
CKE 2 Multi VE 94 11	108	27	3	T55	44	44	3"	650	550	1310	125	00203939
CKE 2 Multi VE 121 3	50	54,5	4	T55	50	50	4"	650	550	1147	156	00203940
CKE 2 Multi VE 121 5	83	54,5	5,5	T55	50	50	4"	650	550	1295	200	00203941

Model	Ø Manifold	Ø Valves	Ø Flanges	Code
Suction kit for CKE 2 VE 94	2 1/2"	1 1/2"	1 1/2"	00213981
Suction kit for CKE 2 VE 121 3	4"	2"	2"	00213982
Suction kit for CKE 2 VE 121 5	4"	2"	2"	00186696

Automatic booster set with variable speed for water supply

Applications

Automatic pumping of clean water for domestic, industrial, agricultural and gardening purposes.
Adjustable working pressure.

Materials

Multi and Multi VE:

Pump body and impellers in AISI 304.
Pump shaft in AISI 420.
Diffusers in technopolymer.
Suction and discharge in cast iron.
Mechanical seal.
Motor casing in aluminium.
O-rings in NBR/EPDM.

Manifolds: AISI 304.

Valves and fittings: Brass.

Equipment included

Pump (x3).
Speedrive V2 (x3).
Discharge manifold.
Optional suction manifold.
Control panel.
Valves.
Fittings.
Check valves.
Pressure tank (20l).
Pressure transducer.
Metallic base.

Motor

Asynchronous 2 poles.
IPX5 protection.
Class F insulation.
Continuous operation.

Limitations

Maximum water temperature 40 °C.

Functions and protections

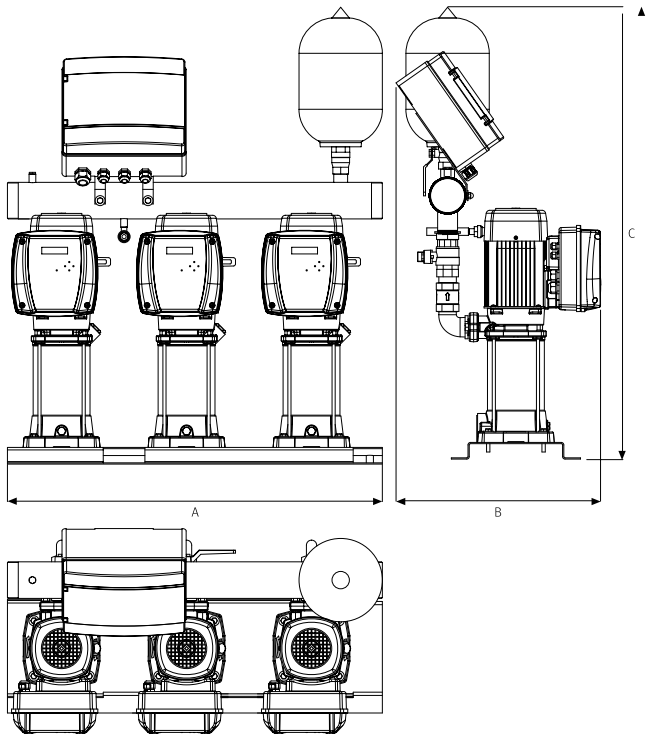
Dry-run protection with automatic reset function.
Detection of pressure transducer failure.
Overcurrent and short-circuit with automatic reset.
Power supply voltage with automatic reset.
Internal overtemperature with automatic reset.
Earthing and motor phase error.
Communication error.

Operation

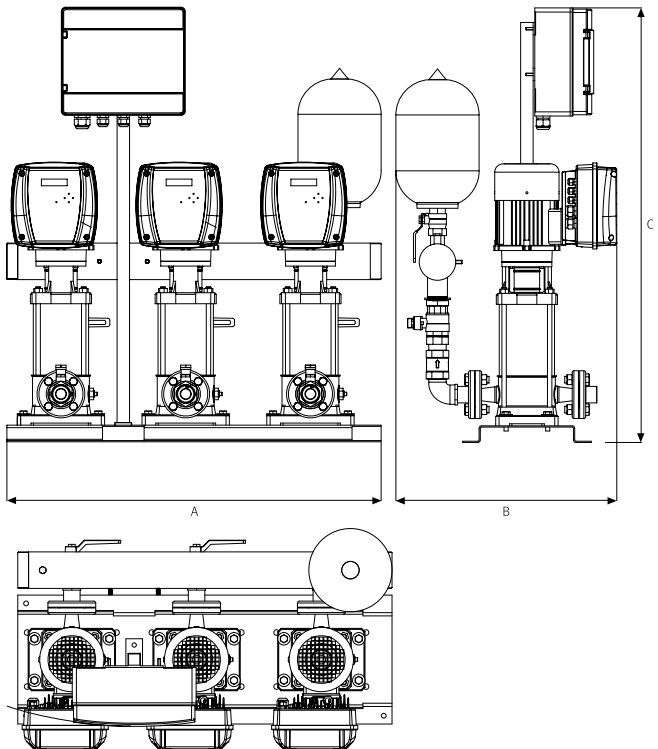
Variable speed to maintain the constant pressure and flow that apartment, building or installation demands at every moment.



CKE 3 Multi



CKE 3 Multi VE



Technical features, dimension and weight

Model	Maximum head [m]	Maximum flow [m³/h]	P2 [kW]	Speedrive V2	Ø Pump		Ø Discharge manifold	Dimensions			Weight [Kg]	Code
					Suc.	Dis.		A	B	C		
CKE 3 Multi 35 4	55	31,5	1,1	T22	1 1/2"	1 1/4"	3"	900	464	1044	99	00176742
CKE 3 Multi 35 5	67	31,5	1,5	T22	1 1/2"	1 1/4"	3"	900	464	1067	107	00176743
CKE 3 Multi 35 6	83	31,5	2,2	T22	1 1/2"	1 1/4"	3"	900	464	1093	109	00176453
CKE 3 Multi 35 8	110	31,5	3	T55	1 1/2"	1 1/4"	3"	900	500	1142	130	00176745
CKE 3 Multi 35 10	138	31,5	4	T55	1 1/2"	1 1/4"	3"	900	500	1170	151	00176746
CKE 3 Multi 55 4	51	54	2,2	T22	1 1/2"	1 1/4"	3"	900	500	1149	118	00176748
CKE 3 Multi 55 6	79	54	3	T55	1 1/2"	1 1/4"	3"	900	533	1228	144	00176749
CKE 3 Multi 55 7	93	54	4	T55	1 1/2"	1 1/4"	3"	900	533	1272	157	00176750

Model	Ø Manifold	Ø Valves	Ø Flanges	Code
Suction kit for CKE 3 Multi 35 and Multi 55	3"	1 1/2"	1 1/2"	00205223

Model	Maximum head [m]	Maximum flow [m³/h]	P2 [kW]	Speedrive V2	Ø Pump		Ø Discharge manifold	Dimensions			Weight [Kg]	Code
					Suc.	Dis.		A	B	C		
CKE 3 Multi VE 94 6	58	40,5	1,5	T22	44	44	3"	900	550	1038	126	00203942
CKE 3 Multi VE 94 8	77	40,5	2,2	T22	44	44	3"	900	550	1138	137	00203943
CKE 3 Multi VE 94 11	108	40,5	3	T55	44	44	3"	900	550	1310	187	00203944
CKE 3 Multi VE 121 3	50	82	4	T55	50	50	4"	900	550	1147	234	00203945
CKE 3 Multi VE 121 5	83	82	5,5	T55	50	50	4"	900	550	1295	300	00203946

Model	Ø Manifold	Ø Valves	Ø Flanges	Code
Suction kit for CKE 3 VE 94	3"	1 1/2"	1 1/2"	00213983
Suction kit for CKE 3 VE 121 3	4"	2"	2"	00213984
Suction kit for CKE 3 VE 121 5	4"	2"	2"	00178038

Automatic booster set with variable speed for water supply

Applications

Automatic pumping of clean water for domestic, industrial, agricultural and gardening purposes.
Adjustable working pressure.

Materials

Multi and Multi VE:

Pump body and impellers in AISI 304.
Pump shaft in AISI 420.
Diffusers in technopolymer.
Suction and discharge in cast iron.
Mechanical seal.
Motor casing in aluminium.
O-rings in NBR/EPDM.

Manifolds: AISI 304.

Valves and fittings: Brass.

Equipment included

Pump (x4).
Speedrive V2 (x4).
Discharge manifold.
Optional suction manifold.
Control panel.
Valves.
Fittings.
Check valves.
Pressure tank (20l).
Pressure transducer.
Metallic base.

Motor

Asynchronous 2 poles.
IPX5 protection.
Class F insulation.
Continuous operation.

Limitations

Maximum water temperature 40 °C.

Functions and protections

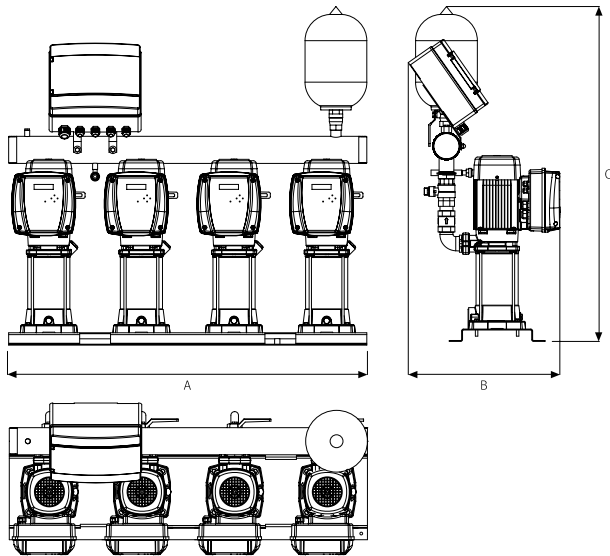
Dry-run protection with automatic reset function.
Detection of pressure transducer failure.
Overcurrent and short-circuit with automatic reset.
Power supply voltage with automatic reset.
Internal overtemperature with automatic reset.
Earthing and motor phase error.
Communication error.

Operation

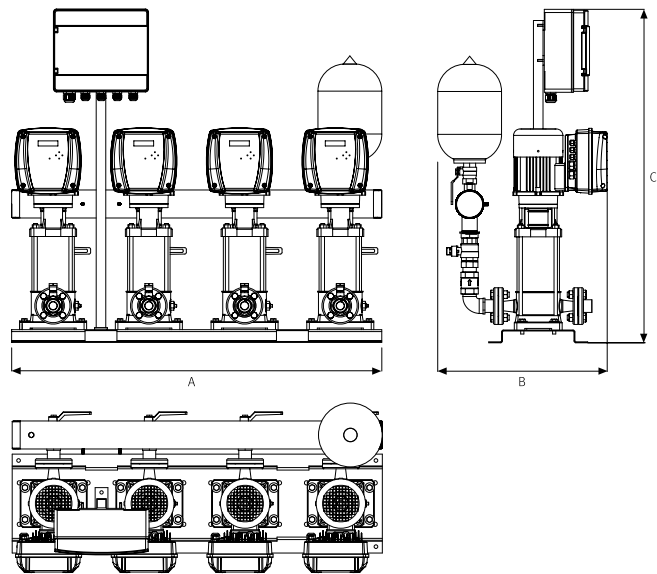
Variable speed to maintain the constant pressure and flow that apartment, building or installation demands at every moment.



CKE 4 Multi



CKE 4 Multi VE



Technical features, dimension and weight

Model	Maximum head [m]	Maximum flow [m³/h]	P2 [kW]	Speedrive V2	Ø Pump		Ø Discharge manifold	Dimensions			Weight [Kg]	Code 3-400V (Model T)
					Suc.	Dis.		A	B	C		
CKE 4 Multi 35 4	55	42	1,1	T22	1 1/2"	1 1/4"	3"	1160	464	1044	131	00176775
CKE 4 Multi 35 5	67	42	1,5	T22	1 1/2"	1 1/4"	3"	1160	464	1067	142	00176776
CKE 4 Multi 35 6	83	42	2,2	T22	1 1/2"	1 1/4"	3"	1160	464	1093	144	00176777
CKE 4 Multi 35 8	110	42	3	T55	1 1/2"	1 1/4"	3"	1160	500	1142	172	00176778
CKE 4 Multi 35 10	138	42	4	T55	1 1/2"	1 1/4"	4"	1160	500	1170	198	00202199
CKE 4 Multi 55 4	51	72	2,2	T22	1 1/2"	1 1/4"	4"	1160	500	1149	156	00176781
CKE 4 Multi 55 6	79	72	3	T55	1 1/2"	1 1/4"	4"	1160	533	1228	191	00176782
CKE 4 Multi 55 7	93	72	4	T55	1 1/2"	1 1/4"	4"	1160	533	1272	208	00173508

Model	Ø Manifold	Ø Valves	Ø Flanges	Code
Suction kit for CKE 4 Multi 35	3"	1 1/2"	1 1/2"	00207305
Suction kit for CKE 4 Multi 55	4"	1 1/2"	1 1/2"	00207306

Model	Maximum head [m]	Maximum flow [m³/h]	P2 [kW]	Speedrive V2	Ø Pump		Ø Discharge manifold	Dimensions			Weight [Kg]	Code 3-400V (Model T)
					Suc.	Dis.		A	B	C		
CKE 4 Multi VE 94 6	58	54	1,5	T22	44	44	3"	1160	550	1038	168	00203947
CKE 4 Multi VE 94 8	77	54	2,2	T22	44	44	3"	1160	550	1138	182	00203948
CKE 4 Multi VE 94 11	108	54	3	T55	44	44	3"	1160	550	1310	250	00203949
CKE 4 Multi VE 121 3	50	109	4	T55	50	50	4"	1160	550	1147	312	00203950
CKE 4 Multi VE 121 5	83	109	5,5	T55	50	50	4"	1160	550	1295	400	00203951

Model	Ø Manifold	Ø Valves	Ø Flanges	Code
Suction kit for CKE 4 VE 94	4"	1 1/2"	1 1/2"	00213985
Suction kit for CKE 4 VE 121 3	5"	2"	2"	00213986
Suction kit for CKE 4 VE 121 5	5"	2"	2"	00213987



 **ESPA**



#esparaments





**Recirculation
and filtration**

Centrifugal single stage pump for water recirculation and filtration

Applications

Water recirculation and filtration for small swimming pools.
Silent.
Self-priming up to 4m.

Materials

Pump body, impeller, diffuser, suction and discharge in technopolymer.
Pump shaft in AISI 431.
Mechanical seal.
Motor casing in aluminium.
O-rings in NBR/EPDM.

Equipment

No cable.
Unions included 50mm and 1^{1/2}".

Motor

Asynchronous 2 poles.
IPX5 protection.
Class F insulation.
Built-in thermal protection.
Continuous operation.

Limitations

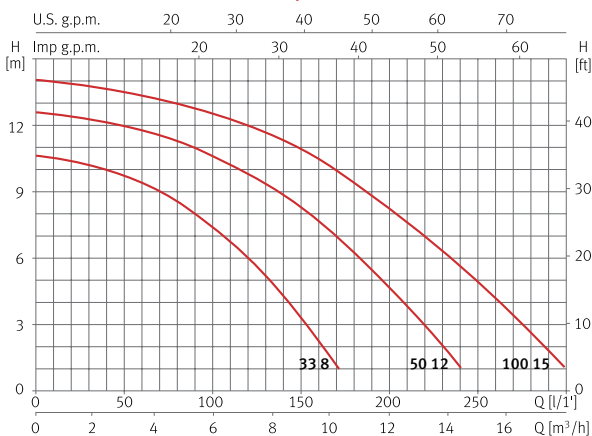
Maximum water temperature 40 °C.



Hydraulic performance table

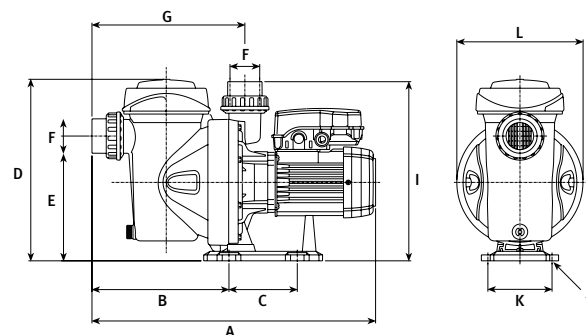
Model	I [A]	P1 [kW]	P2		c [μF]	l/min	25	50	75	100	150	200	250	290	Code
	1~230V	1~	[kW]	[HP]			m ³ /h	1,5	3,0	4,5	6,0	9,0	12	15	
Silen I 33 8	2	0,45	0,25	0,33	12	mwc	10,2	9,7	8,6	7,2	3,2	-	-	-	00203144
Silen I 50 12	2,8	0,65	0,37	0,5	12		12,3	11,9	11,3	10,5	8,1	4,6	-	-	00203145
Silen I 100 15	3,8	0,85	0,75	1	12		13,8	13,3	13	12,5	10,8	8,1	4,8	1,8	00203146

Performance curve at 2900 rpm



Dimension and weight

Model	A	B	C	D	E	F	G	I	J	K	L	Kg
Silen I 33	439	192	115	304	210	50	221	264	Ø9	108	212	8,9
Silen I 50	439	192	115	304	210	50	221	264	Ø9	108	212	10,2
Silen I 100	439	192	115	304	210	50	221	264	Ø9	108	212	10,9



Centrifugal single stage pump for water recirculation and filtration

Applications

Water recirculation and filtration for medium swimming pools.
Silent.
Self-priming up to 4m.

Materials

Pump body, impeller, diffuser, suction and discharge in technopolymer.
Pump shaft in AISI 431.
Mechanical seal.
Motor casing in aluminium.
O-rings in NBR/EPDM.

Equipment

No cable.
Unions included 50mm and 1^{1/2}".

Motor

Asynchronous 2 poles.
IPX5 protection.
Class F insulation.
Single phase motor with built-in thermal protection.
Continuous operation.

Limitations

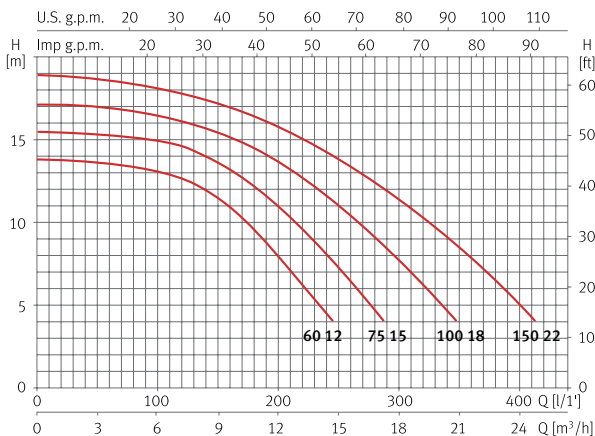
Maximum water temperature 40 °C.



Hydraulic performance table

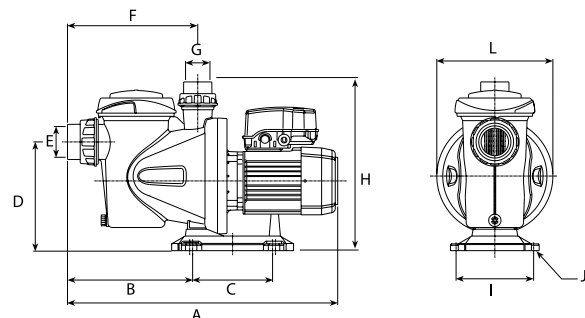
Model	I [A]			P1 [kW]		P2		c [μF]	l/min	40	80	120	160	215	265	325	400	Code	
	1~230V	3~230V	3~400V	1~	3~	[kW]	[HP]											1~230V (Model M)	3~230V/400V (Model T)
	m³/h	2,4	4,8	7,2	9,6	12,9	15,9											19,5	24
Silen S 60 12	3,7	2,4	1,4	0,8	0,8	0,44	0,6	16	mwc	13,6	13,2	12,6	10,9	6,7	-	-	-	00203147	00203151
Silen S 75 15	5,5	3,3	1,9	1,2	1	0,55	0,75	16		15,2	15	14,5	13,1	9,9	6	-	-	00203148	00203152
Silen S 100 18	6	3,8	2,2	1,4	1,2	0,75	1	16		16,9	16,5	16	15	12,9	10	5,9	-	00203149	00203153
Silen S 150 22	7,1	4,8	2,8	1,6	1,6	1,1	1,5	25		18,6	18,2	17,7	16,9	15,1	13	10	5,1	00203150	00203154

Performance curve at 2900 rpm



Dimension and weight

Model	A	B	C	D	E	F	G	H	I	J	L	Kg
Silen S 60	555	257	164	225	50	267	50	347	159	Ø9	238	8,9
Silen S 75	555	257	164	225	50	267	50	347	159	Ø9	238	10,2
Silen S 100	555	257	164	225	50	267	50	347	159	Ø9	238	10,9
Silen S 150	577	257	164	225	50	267	50	347	159	Ø9	238	13,5



Centrifugal single stage pump for water recirculation and filtration

Applications

Water recirculation and filtration for large swimming pools.
Silent.
Self-priming up to 4m.

Materials

Pump body, impeller, diffuser, suction and discharge in technopolymer.
Pump shaft in AISI 431.
Mechanical seal.
Motor casing in aluminium.
O-rings in NBR/EPDM.

Equipment

No cable.
Unions included 63mm and 2".

Motor

Asynchronous 2 poles.
IPX5 protection.
Class F insulation.
Single phase motor with built-in thermal protection.
Continuous operation.

Limitations

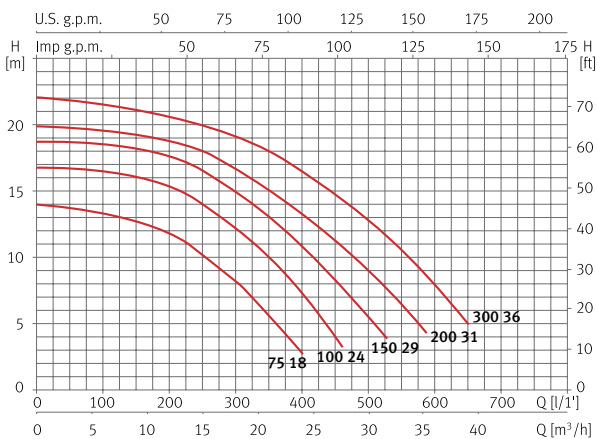
Maximum water temperature 40 °C.



Hydraulic performance table

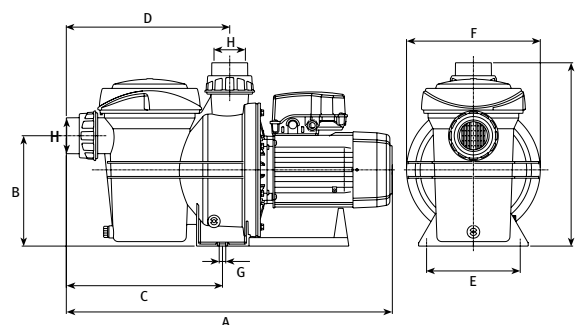
Model	I [A]			P1 [kW]		P2		c [μF]	l/min	m³/h								Code	
	1~230V	3~230V	3~400V	1~	3~	[kW]	[HP]			100	150	250	350	450	500	550	650	1~230V (Model M)	3~230V/400V (Model T)
Silen S2 75 18	4,5	3,8	2,2	1	1	0,55	0,75	25	mwc	13,2	12,8	10	5,5	-	-	-	-	00203155	00203160
Silen S2 100 24	7	4,8	2,8	1,5	1,6	0,9	1,2	25		16,5	16	14,2	10	4	-	-	-	00203156	00203161
Silen S2 150 29	8,5	5,3	3,1	1,9	1,9	1,1	1,5	25		18,5	18,2	16,5	13	8,2	5,5	-	-	00203157	00203162
Silen S2 200 31	9,7	6,5	3,8	2,2	2,2	1,5	2	30		19,5	19,1	18	15	11,1	9	6,3	-	00203158	00203163
Silen S2 300 36	12,5	8,6	5	2,8	2,6	2,2	3	60		21,5	21	19,9	18	14,9	12,9	10,3	5	00203159	00203164

Performance curve at 2900 rpm



Dimension and weight

Model	A	B	C	D	E	F	G	H	I	Kg
Silen S2 75	624	222	272	285	188	268	Ø13	63	327	14
Silen S2 100	624	222	272	285	188	268	Ø13	63	327	15
Silen S2 150	624	222	272	285	188	268	Ø13	63	327	18
Silen S2 200	624	222	272	285	188	268	Ø13	63	327	21
Silen S2 300	624	222	272	285	188	268	Ø13	63	327	23



Centrifugal single stage pump with variable speed for water recirculation and filtration

Applications

Water recirculation and filtration for medium and large swimming pools.
Silent.
Self-priming up to 4m.

Materials

Pump body, impeller, diffuser, suction and discharge in technopolymer.
Pump shaft in AISI 431.
Mechanical seal.
Motor casing in aluminium.
O-rings in NBR/EPDM.

Equipment

Control System included.
2m of cable with plug type F.
Unions included, Silenplus 1 of 50mm or 1^{1/2}" and Silenplus 2/3 of 63mm or and 2".

Motor

Asynchronous 2 poles.
IPX5 protection.
Class F insulation.
Built-in thermal protection.
Continuous operation.

Limitations

Maximum water temperature 40 °C.

Operation

Automatic speed variation to adapt to the swimming pool working cycles.

Control System

Device that transmits the valve's position to the pump so that it activates the working cycle according to the valve's position.



Download ESPA Evopool App for a better experience and management



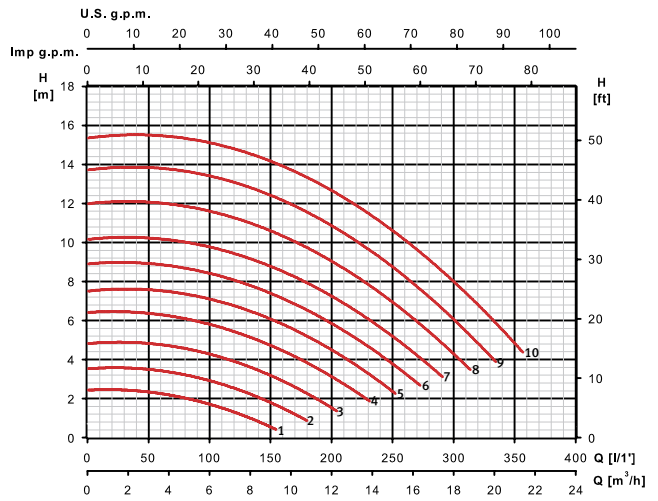
Silenplus 1

Feature table

Model	Working cycle evopool®	I [A]	P1 [kW]	P2		mwc	3	6	9	12	15	Code
		1~230V	1~	[kW]	[HP]							1~230V (Model M)
Silenplus 1	Maximum	8,5	1,1	0,75	1	m³/h maximum speed	22,5	20	16,5	13	7	00199398
	Minimum	1	0,1									
Silenplus 2	Maximum	10	2,2	1,5	2	29,5	26	22	16,5	-	-	00199399
	Minimum	1,2	0,17									
Silenplus 3	Maximum	14,8	2,6	2,2	3	41	38	34	30	25	-	00200519
	Minimum	1,6	0,2									

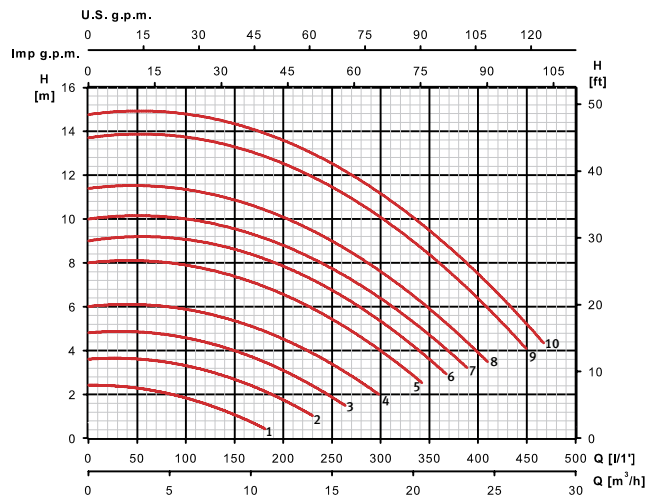
Silenplus 1 hydraulic performance

Speed	I [A] 1~230V	mwc	3	6	9	12	15
1	1	m ³ /h	5	-	-	-	-
2	1,3		5,5	-	-	-	-
3	1,7		9	-	-	-	-
4	2,5		12	2,5	-	-	-
5	3,1		14	9	-	-	-
6	3,7		16	11,5	-	-	-
7	4,5		17,5	14	8,5	-	-
8	5,5		19,5	16	12,5	-	-
9	6,5		21	18	14,5	11	-
10	8		22,5	20	16,5	13	7



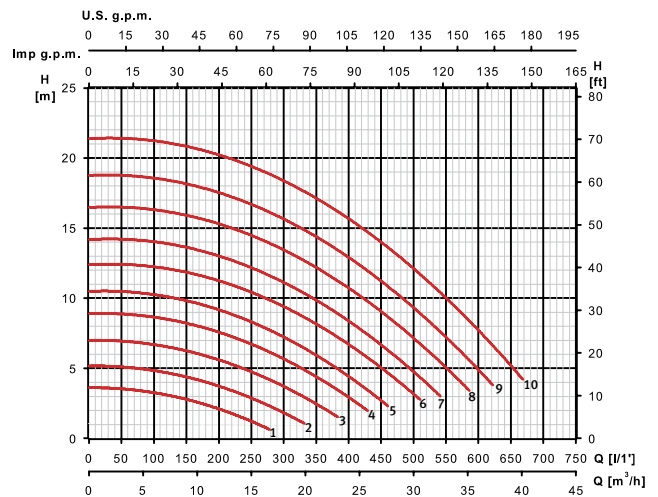
Silenplus 2 hydraulic performance

Speed	I [A] 1~230V	mwc	3	6	9	12
1	1,2	m ³ /h	6	-	-	-
2	1,8		7,5	-	-	-
3	2,4		12	-	-	-
4	3,2		16	-	-	-
5	4,3		20	13,5	-	-
6	5		22	16,5	-	-
7	6,1		23,5	18,5	8,5	-
8	6,8		25	21	15,5	-
9	9		28	24,5	20	14
10	10		29,5	26	22	16,5



Silenplus 3 hydraulic performance

Speed	I [A] 1~230V	mwc	3	6	9	12	15
1	1,6	m ³ /h	7	-	-	-	-
2	2,3		15	-	-	-	-
3	3,4		20	10	-	-	-
4	4,6		24	17	-	-	-
5	5,7		26,5	21	12,5	-	-
6	7,3		30	25,5	19,5	2,5	-
7	8,6		32,5	28	23	15,5	-
8	10,5		35,5	31,5	27	21	10
9	12,3		38	34,5	30,5	26	20
10	14,8		41	38	34	30	25



Sand filter for water filtration

Filterkit Base

Filter with valve made of polyethylene resistant to chemical and weather agents.

Blow moulded in single piece with base built into the filter.

With top mount 6-way valve.

Features

Working pressure 2 bar.

Maximum pressure 3 bar.

Connection of 1½”.

Fitted with pressure gauge and air valve.

Double drainage in the lower section of the filter ½” to totally empty the filter and ¼” to empty water without loss of sand.

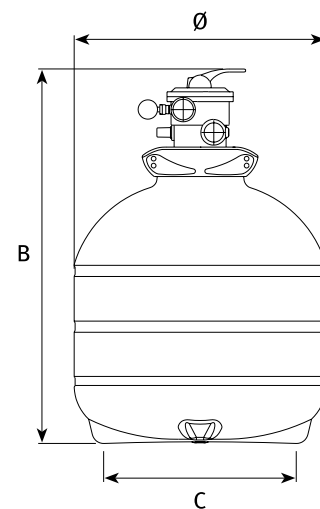


Feature table

Model	Filter			Code
	Ø filter [mm]	Flow [m³/h]	Sand load [Kg]	
FKB 350 6 Top Mount	350 (14")	6	35	00160863
FKB 450 6 Top Mount	450 (18")	8	75	00134538
FKB 550 6 Top Mount	550 (22")	12	100	00134539

Dimension and weight

Model	B	C	Ø	Kg
FKB 350 6 Top Mount	735	258	350	5,6
FKB 450 6 Top Mount	832	330	450	7,7
FKB 550 6 Top Mount	832	440	550	10,1



Sand filter for water filtration

Filterkit Plus

Filter with valve made of polypropylene resistant to chemical and weather agents.
Injection moulded with the two halves thermally welded.
With side mount 6-way valve.

Features

Working pressure 3,5 bar.
Maximum pressure 7 bar.
Connection of 1½" for Ø520 and Ø620 and 2" for Ø760.
Fitted with pressure gauge and air valve.
Double drainage in the lower section of the filter 1½" to totally empty the filter and ½" to empty water without loss of sand.

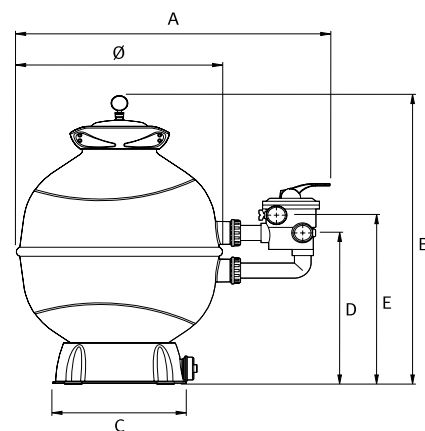


Feature table

Model	Filter			Code
	Ø filter [mm]	Flow [m³/h]	Sand load [Kg]	
FKP 520 6 Side Mount	520 (20")	10	85	00130906
FKP 620 6 Side Mount	620 (24")	14	145	00130907
FKP 760 6 Side Mount	760 (30")	21	300	00130908

Dimension and weight

Model	A	B	C	D	E	Ø	Kg
FKP 520 6 Side Mount	844	886	422	460	519	520	21,7
FKP 620 6 Side Mount	943	957	422	501	560	620	23,7
FKP 760 6 Side Mount	1.102	1.114	422	630	715	767	34



Model	Filter			Pump		Code
	Ø filter [mm]	Nominal flow [m3/h]	Silix load [Kg]	P2 (HP)	I (A) 1~	
TKP NT 520 SILEN I 100 15M Tekbox	520 (20")	10	85	1	3.8	00134465 1~230V (Model M)

Centrifugal multistage pump for pool cleaners

Applications

Booster pump for pool cleaners.
Designed to operate with chlorinated and salty water.

Materials

Pump body, diffusers, suction and discharge in technopolymer.
Impellers in AISI 304.
Pump shaft in AISI 431.
Mechanical seal.
Motor casing in aluminium.
O-rings in NBR/EPDM.

Equipment

No cable.

Motor

Asynchronous 2 poles.
IPX5 protection.
Class F insulation.
Built-in thermal protection.
Continuous operation.

Limitations

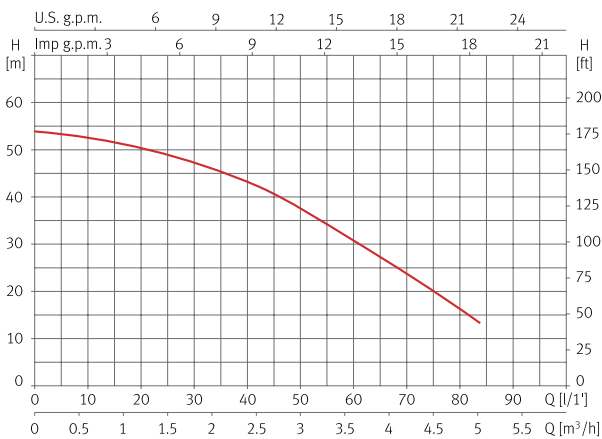
Maximum water temperature 40 °C.



Hydraulic performance table

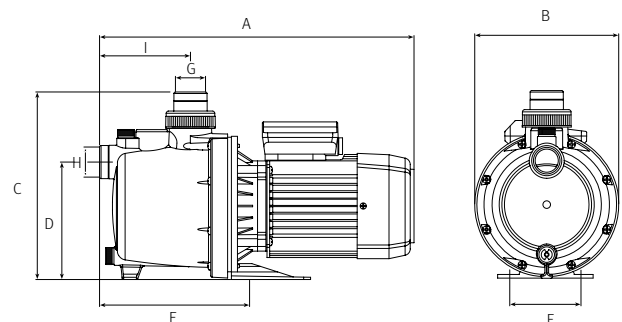
Model	I [A]	P1 [kW]	P2		c [μF]	l/min	10	30	40	50	60	65	70	80	Code
	1~230V	1~	[kW]	[HP]		m³/h	0,6	1,8	2,4	3,0	3,6	3,9	4,3	4,8	
Multipool	6	1,3	0,75	1	16	mwc	53	47	43	37	32	28	24	17	00202038

Performance curve at 2900 rpm



Dimension and weight

Model	A	B	C	D	E	F	G	H	I	Kg
Multipool	415	190	248	155	198	94	1"	1"	120	10,5



Centrifugal single stage pump for water stream

Applications

Generation of a strong water stream to transform swimming pools into a place for sport and leisure.
Self-priming up to 4m.

Materials

Pump body, impeller, diffuser, suction and discharge in technopolymer.
Pump shaft in AISI 431.
Mechanical seal.
Motor casing in aluminium.
O-rings in NBR/EPDM.

Equipment

No cable.
Unions not included.

Motor

Asynchronous 2 poles.
IPX5 protection.
Class F insulation.
Single phase motor with built-in thermal protection.
Continuous operation.

Limitations

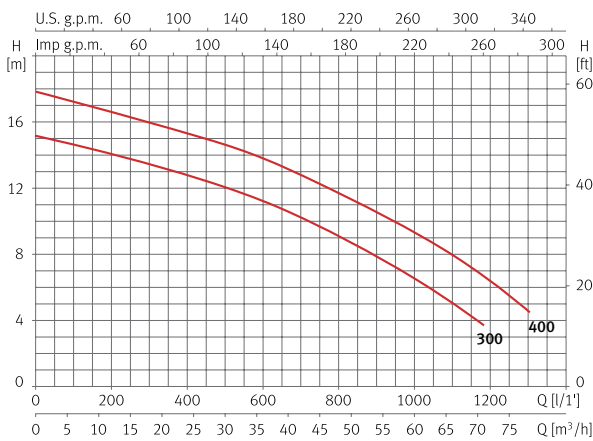
Maximum water temperature 40 °C.



Hydraulic performance table

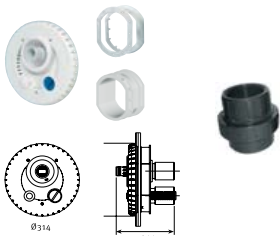
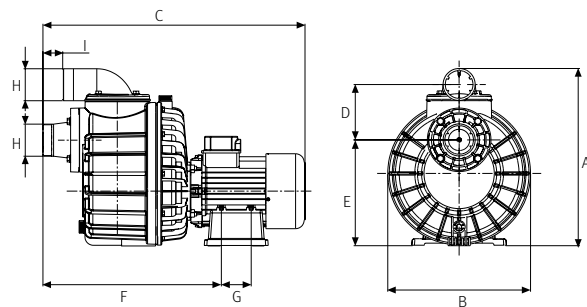
Model	I [A]			P1 [kW]		P2		c [μF]	l/min m³/h	100	200	400	600	800	1000	1200	1300	Code	
	1~230V	3~230V	3~400V	1~	3~	[kW]	[HP]			100	200	400	600	800	1000	1200	1300	1~230V (Model M)	3~230V/400V (Model T)
Nadorself 300	13,4	-	-	3	-	2,2	3	60	mwc	14,6	14	12,6	11,3	9	6,5	-	-	00203166	-
Nadorself 400	-	11,8	6,8	-	3,4	3	4	-		17,2	16,6	15,3	13,8	11,6	9,4	6,3	4,5	-	00203169

Performance curve at 2900 rpm



Dimension and weight

Model	A	B	C	D	E	F	G	H	I	Kg
Nadorself 300	416	335	615	130	249	419	70	2 1/2"	47	26,1
Nadorself 400	416	335	615	130	249	419	70	2 1/2"	47	28



Accessories	Code
Suction and discharge circular kit	00128188
Bushing wall kit for liner and concrete pools	00146558
Suction and discharge union 75mm	11000596



Centrifugal single stage pump for water recirculation

Applications

Water recirculation in swimming pools, spas and whirlpools.

Materials

Pump body, impeller, diffuser, suction and discharge in technopolymer.
Pump shaft in AISI 431.
Mechanical seal.
Motor casing in aluminium.
O-rings in NBR/EPDM.

Equipment

No cable.
Tiper: unions included, suction 50mm and discharge 32mm x2.
Tiper 2: unions included, suction 50mm and discharge 40mm x2.

Motor

Asynchronous 2 poles.
IPX5 protection.
Class F insulation.
Built-in thermal protection.
Continuous operation.

Limitations

Maximum water temperature 50 °C.



Tiper

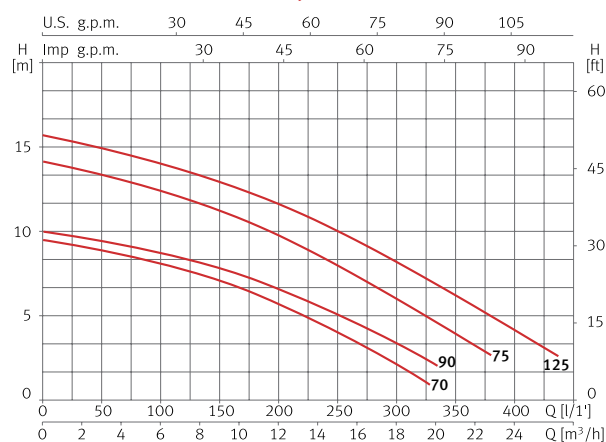


Tiper 2

Hydraulic performance table

Model	I [A]	P1 [kW]	P2		c [µF]	l/min	50	100	150	200	250	300	350	400	Code
	1~230V	1~	[kW]	[HP]			m³/h	3	6	9	12	15	18	21	
Tiper 70	3	0,7	0,37	0,5	12	mwc	8,8	7,9	6,7	5,4	3,9	2,3	-	-	00208183
Tiper 90	3,8	0,9	0,75	1	12		9,3	8,5	7,6	6,4	5,1	3,6	2,2	-	00208184
Tiper 2 75	5,3	1,2	0,55	0,75	16		14	12,5	11	10	7,5	6	4	-	00137549
Tiper 2 125	5,6	1,5	0,9	1,2	16		15	14	12,5	11,5	10	8	6	4	00137548

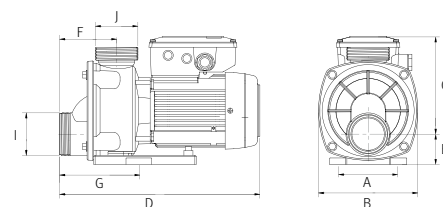
Performance curve at 2900 rpm



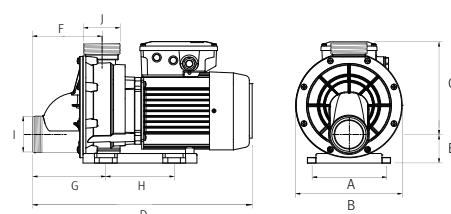
Dimension and weight

Model	A	B	C	D	E	F	G	H	I	J	Kg
Tiper 70	102	166	155	312	47	88	160	-	2 1/4"	2 1/4"	3,9
Tiper 90	101	166	155	312	47	88	160	-	2 1/4"	2 1/4"	4,4
Tiper 2 75	124	187	215	378	50	120	120	130	2 1/4"	2 1/4"	3,9
Tiper 2 125	124	187	215	378	50	120	120	130	2 1/4"	2 1/4"	4,4

Tiper



Tiper 2



Centrifugal single stage pump for water recirculation

Applications

Water recirculation in swimming pools, spas and whirlpools.

Materials

Pump body, impeller, diffuser, suction and discharge in technopolymer.
 Pump shaft in AISI 431.
 Mechanical seal.
 Motor casing in aluminium.
 O-rings in NBR/EPDM.

Equipment

No cable.
 Unions included 50mm.

Motor

Asynchronous 2 poles.
 IPX5 protection.
 Class F insulation.
 Single phase motor with built-in thermal protection.
 Continuous operation.

Limitations

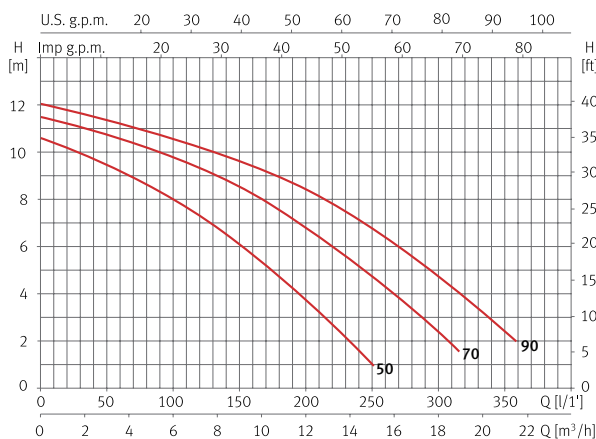
Maximum water temperature 50 °C.



Hydraulic performance table

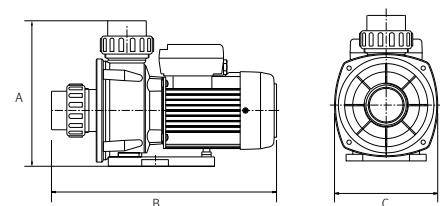
Model	I [A]	P1 [kW]	P2		c [μF]	l/min	25	50	100	150	200	250	300	350	Code
	1~230V	1~	[kW]	[HP]											
						m³/h	1,5	3,0	6,0	9,0	12	15	18	21	1~230V (Model M)
Wiper 0 50	2,3	0,5	0,24	0,33	12	mwc	10	9,4	7,9	6	3,6	1	-	-	00203170
Wiper 0 70	2,9	0,65	0,37	0,5	12		11	10,6	9,7	8,5	6,6	4,5	2,2	-	00203171
Wiper 0 90	3,7	0,85	0,75	1	12		11,7	11,3	10,5	9,6	8,4	6,7	4,6	2,2	00203172

Performance curve at 2900 rpm



Dimension and weight

Model	A	B	C	Kg
Wiper 0 50	219	337	155	5,7
Wiper 0 70	219	337	155	6
Wiper 0 90	219	337	155	6,9



Centrifugal single stage pump for water recirculation

Applications

Water recirculation in swimming pools, spas and whirlpools.

Materials

Pump body, impeller, diffuser, suction and discharge in technopolymer.
Pump shaft in AISI 431.
Mechanical seal.
Motor casing in aluminium.
O-rings in NBR/EPDM.

Equipment

No cable.
Unions included 63mm.

Motor

Asynchronous 2 poles.
IPX5 protection.
Class F insulation.
Single phase motor with built-in thermal protection.
Continuous operation.

Limitations

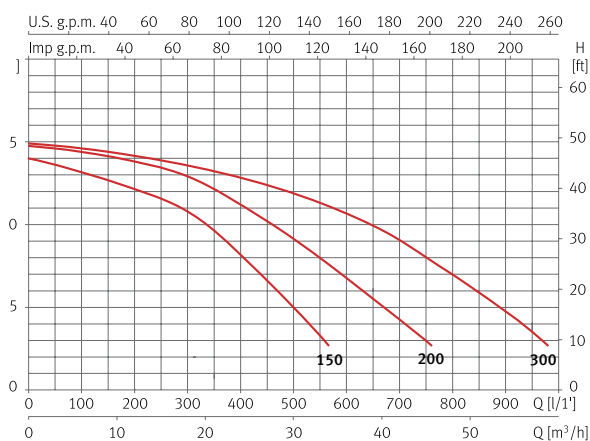
Maximum water temperature 50 °C.



Hydraulic performance table

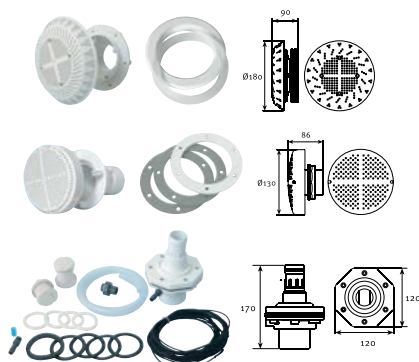
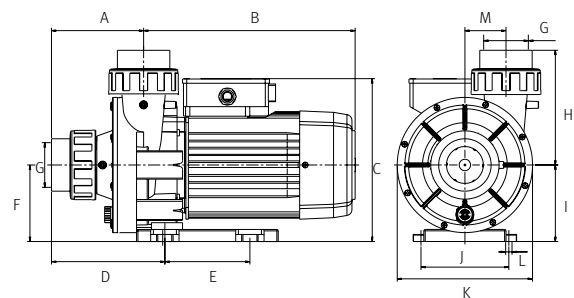
Model	I [A]			P1 [kW]		P2		c [μF]	l/min m³/h	50	100	200	300	400	500	600	900	Code	
	1~230V	3~230V	3~400V	1~	3~	[kW]	[HP]			3,0	6,0	12	18	24	30	36	54	1~230V (Model M)	3~230V/400V (Model T)
	Wiper 3 150	6,4	5	2,9	1,4	1,1	1,1			1,5	25	13,3	13	12,1	10,8	8,2	5	-	-
Wiper 3 200	8,8	6,6	3,8	2	1,8	1,5	2	30	14,8	14,5	13,9	12,9	11,1	9,1	6,8	-	00203174	00203177	
Wiper 3 300	11	7,1	4,1	2,5	2,4	2,2	3	60	14,8	14,5	14,1	13,5	12,8	11,9	10,7	4,7	00203175	00203178	

Performance curve at 2900 rpm

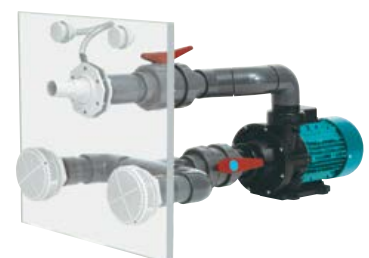


Dimension and weight

Model	A	B	C	D	E	F	G	H	I	J	K	L	M	Kg
Wiper 3 150	130	299	230	160	120	108	63	162	108	124	191	9	29	14,3
Wiper 3 200	130	299	230	160	120	108	63	162	108	124	191	9	29	17
Wiper 3 300	130	299	230	160	120	108	63	162	108	124	191	9	29	18,8



Accessories	Code
Suction kit for liner pools	00130634
Suction kit for concrete pools	00130633
Discharge kit for liner and concrete pools	00130632
Hose kit 1.5m	00104153



Centrifugal single stage pump for salt water recirculation

Applications

Clean water recirculation.
Suitable for salt water.

Materials

Pump body, impeller, diffuser, suction and discharge in technopolymer.
Pump shaft in AISI 431.
Mechanical seal.
Motor casing in aluminium.
O-rings in NBR/EPDM.

Equipment

No cable.
Piscis 3: unions included 50mm.
Piscis 4: unions included 63mm.

Motor

Asynchronous 2 poles.
IPX5 protection.
Class F insulation.
Built-in thermal protection.
Continuous operation.

Limitations

Maximum water temperature 40 °C.



Piscis 3



Piscis 4

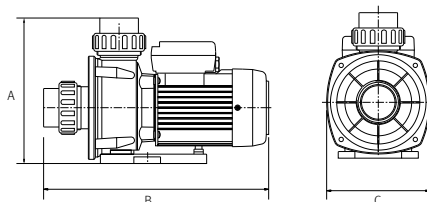
Hydraulic performance table

Model	I [A]	P1 [kW]	P2		c [μF]	l/min	20	60	100	140	180	210	250	300	Code
	1~230V	1~	[kW]	[HP]			m³/h	1,2	3,6	6,0	8,4	10,8	12,6	15	
Piscis 3 50	2,4	0,5	0,37	0,5	10	mwc	10,5	9,7	8,5	7,1	5,4	4	2	-	00097120
Piscis 3 70	3,1	0,7	0,55	0,75	10		11,5	10,8	10	9,1	7,9	6,8	5	2,7	00097121

Model	I [A]	P1 [kW]	P2		c [μF]	l/min	50	100	200	250	300	350	400	450	Code
	1~230V	1~	[kW]	[HP]			m³/h	3	6	12	15	18	21	24	
Piscis 4	6	1,4	1,1	1,5	25	mwc	14,5	14	13	12	11	10	8,5	7	00097122

Dimension and weight

Model	A	B	C	Kg
Piscis 3	219	337	155	7
Piscis 4	270	429	191	13





 **ESPA**



#espa moments



The image is a vertical composition. The left half is a close-up of a sneaker's sole, heavily tinted with a vibrant red color. The sole's tread pattern is visible, showing several distinct sections. The right half is a dark, almost black background with several bright, out-of-focus water droplets and splashes, creating a sense of motion and texture. The overall aesthetic is dramatic and high-contrast.

Evacuation

Portable submersible pump for waste water

Applications

Evacuation, transfer and emptying of waste water and emptying of swimming pools.

Materials

Pump in technopolymer.
Pump shaft in AISI 420.
Impeller in technopolymer.
Lip seal.
O-rings in NBR/EPDM.
Model C with ceramic coated shaft.

Motor

Asynchronous 2 poles.
IP68 protection.
Class F insulation.
Continuous operation.
Built-in thermal protection.

Limitations

Maximum water temperature 40 °C.
Maximum solids passage Ø 5mm.
Maximum submersion 2m.

Equipment

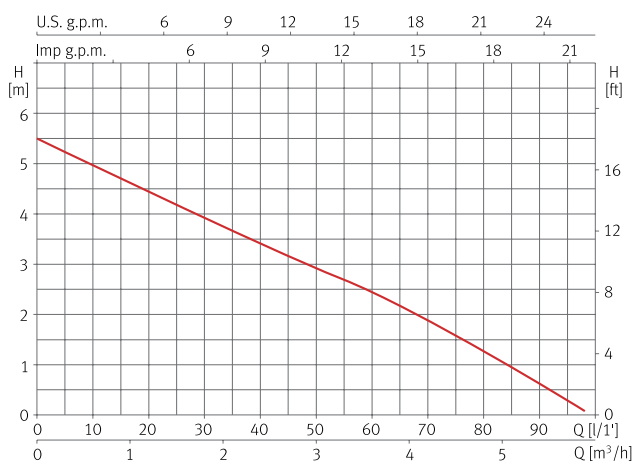
Float switch and 5m of cable with plug type F.
Internal capacitor.



Hydraulic performance table

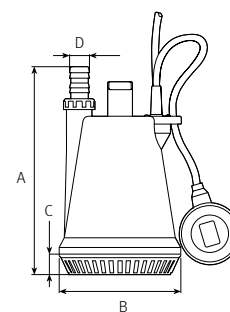
Model	I [A]	P1 [kW]	P2		c [µF]	l/min	10	20	30	40	50	60	80	95	Code
	1~230V	1~	[kW]	[HP]		m³/h	0,6	1,2	1,8	2,4	3,0	3,6	4,8	5,7	
Vigila 100	1,04	0,23	0,11	0,15	6	mwc	5	4,3	3,7	3,4	3,0	2,5	1,2	0,3	00097806

Performance curve at 2900 rpm



Dimension and weight

Model	A	B	C	D	Kg
Vigila 100	272	159	27	1 1/4"	3,8



Portable submersible pump for waste water

Applications

Evacuation, transfer and emptying of waste water and emptying of swimming pools.

Materials

Pump in technopolymer.
Pump shaft in AISI 420.
Impeller in technopolymer.
Lip seal.
O-rings in NBR/EPDM.

Equipment

Float switch and 10m of cable with plug type F.
Internal capacitor.

Motor

Asynchronous 2 poles.
IP68 protection.
Class F insulation.
Continuous operation.
Built-in thermal protection.

Limitations

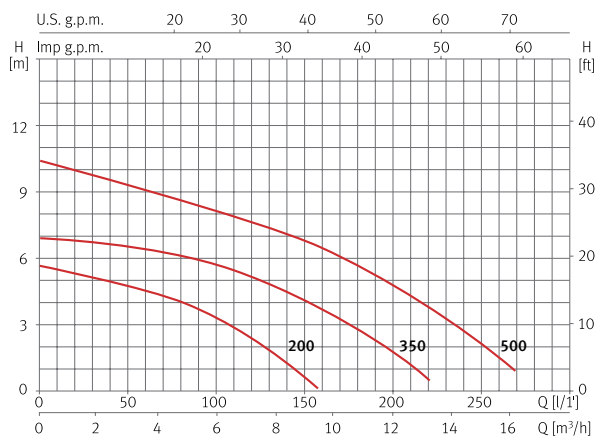
Maximum water temperature 40 °C.
Maximum solids passage Ø 10mm.
Maximum submersion 7m.



Hydraulic performance table

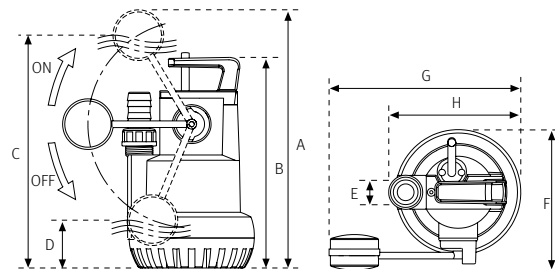
Model	I [A]	P1 [kW]	P2		c [µF]	l/min	20	40	80	120	160	200	240	260	Code
	1~230V	1~	[kW]	[HP]		m³/h	1,2	2,4	4,8	7,2	9,6	12	14,4	15,6	
Vigila 200	1,8	0,38	0,25	0,33	8	mwc	5,6	5,3	4,5	2,8	-	-	-	-	00105776
Vigila 350	2,7	0,55	0,5	0,7	10		7,2	7	6,5	5,5	4	2	-	-	00105781
Vigila 500	3,7	0,85	0,6	0,8	10		10,4	10	9	8	6,8	5	3	1,8	00105787

Performance curve at 2900 rpm



Dimension and weight

Model	A	B	C	D	E	F	G	H	Kg
Vigila 200	392	320	353	72	1 1/4"	214	291	201	4,5
Vigila 350	444	372	405	124	1 1/4"	214	291	201	6,7
Vigila 500	444	372	405	124	1 1/4"	214	291	201	7,1



Portable submersible pump for waste water with solids in suspension, vortex system

Applications

Evacuation, transfer and emptying of waste water with solids in suspension.

Materials

Pump in technopolymer.
Pump shaft in AISI 420.
Impeller in technopolymer.
Lip seal.
O-rings in NBR/EPDM.

Equipment

Float switch and 10m of cable with plug type F.
Internal capacitor.

Motor

Asynchronous 2 poles.
IP68 protection.
Class F insulation.
Continuous operation.
Built-in thermal protection.

Limitations

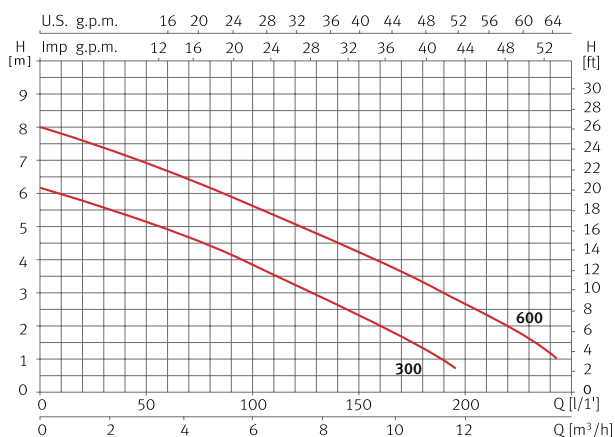
Maximum water temperature 40 °C.
Maximum solids passage Ø 25mm.
Maximum submersion 7m.



Hydraulic performance table

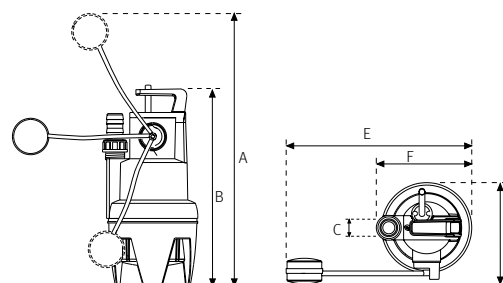
Model	I [A]	P1 [kW]	P2		c [µF]	l/min	25	50	75	100	125	150	190	240	Code
	1~230V	1~	[kW]	[HP]											
Vigilex 300	2,5	0,6	0,5	0,7	10	m³/h	1,5	3,0	4,5	6,0	7,5	9,0	11,4	14,4	1~230V (Model M)
Vigilex 600	3,3	0,8	0,6	0,8	10	mwc	5,7	5,2	4,6	3,8	3,2	2,3	1	-	00105796
							7,5	7	6,3	5,6	5	4,3	3	1	00105800

Performance curve at 2900 rpm



Dimension and weight

Model	A	B	C	D	E	F	Kg
Vigilex 300	380	362	1 1/4"	214	410	201	4,5
Vigilex 600	380	362	1 1/4"	214	410	201	6,7



Submersible pump for waste water with solids in suspension, grinder system

Applications

Evacuation, transfer and emptying of waste water with solids in suspension.

Materials

Pump body in AISI 304.
 Pump shaft in AISI 420.
 Suction and discharge in cast iron.
 Impeller in technopolymer reinforced with steel.
 Grinder blade in stainless steel.
 Mechanical seal.
 O-rings in NBR/EPDM.

Equipment

Float switch and 10m of cable with plug type F.
 Internal capacitor.

Motor

Asynchronous 2 poles.
 IP68 protection.
 Class F insulation.
 Continuous operation.
 Built-in thermal protection.

Limitations

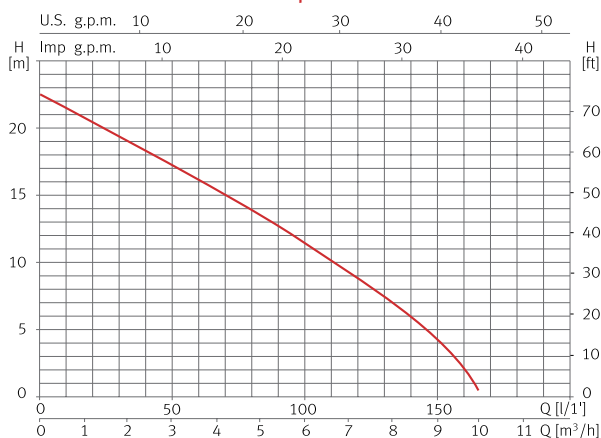
Maximum water temperature 40 °C.
 Maximum submersion 7m.



Hydraulic performance table

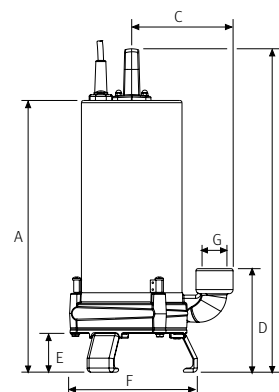
Model	I [A]	P1 [kW]	P2		c [μF]	l/min	15	30	50	65	80	100	115	135	Code
	1~230V	1~	[kW]	[HP]		m³/h	0,9	1,8	3,0	3,2	4,8	6,0	6,9	8,1	
Vigicor	5,4	1,2	0,9	1,2	16	mwc	21	19,1	17,1	15,5	14	11,4	9,4	6,5	1~230V (Model M) 00097798

Performance curve at 2900 rpm



Dimension and weight

Model	A	B	C	D	E	F	G	Kg
Vigicor	396	471	148	151	57	191	1 1/4"	15,5



Drain 100 **Evacuation | Drainage**



Submersible pump for waste water

Applications

Evacuation, transfer and emptying of waste water.

Materials

Pump body in AISI 304.
Pump shaft in AISI 420.
Impeller in technopolymer.
Suction and discharge in cast iron.
Double mechanical seal.
O-rings in NBR/EPDM.

Equipment

Float switch and 10m of cable with plug type F.
External capacitor with capacitor box included.

Motor

Asynchronous 2 poles.
IP68 protection.
Continuous operation.
Class F insulation.
Built-in thermal protection.

Limitations

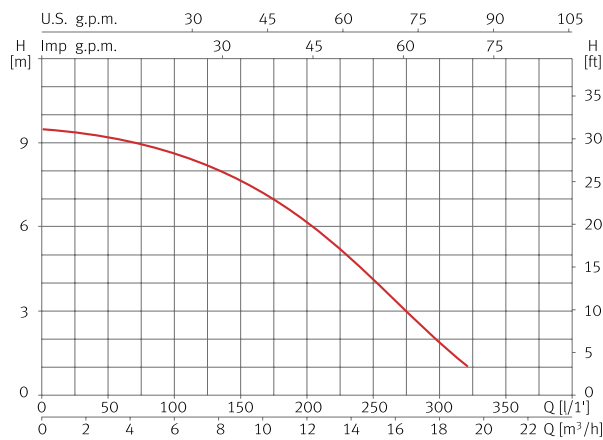
Maximum water temperature 40 °C.
Maximum solids passage Ø 7mm.
Maximum submersion 7m.



Hydraulic performance table

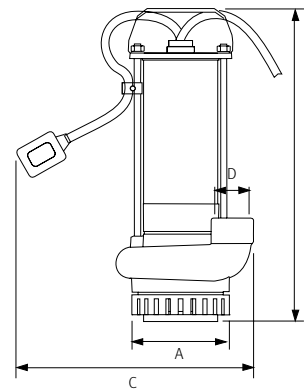
Model	I [A]	P1 [kW]	P2		c [µF]	l/min m³/h	25	50	100	150	200	250	300	320	Code
	1~230V	1~	[kW]	[HP]											
Drain 100	3,1	0,8	0,75	1	12	mwc	9,2	9,1	8,7	7,8	6	4	2	1	00096603

Performance curve at 2900 rpm



Dimension and weight

Model	A	B	C	D	Kg
Drain 100	122	392	300	1 1/4"	10,5



Drainex 100 **Evacuation | Drainage**



Submersible pump for waste water with solids in suspension, vortex system

Applications

Evacuation, transfer and emptying of waste water with solids in suspension.

Materials

Pump body in AISI 304.
Pump shaft in AISI 420.
Suction and discharge in cast iron.
Impeller in brass.
Double mechanical seal.
O-rings in NBR/EPDM.

Equipment

Float switch and 10m of cable with plug type F.
External capacitor with capacitor box included.

Motor

Asynchronous 2 poles.
IP68 protection.
Continuous operation.
Class F insulation.
Built-in thermal protection.

Limitations

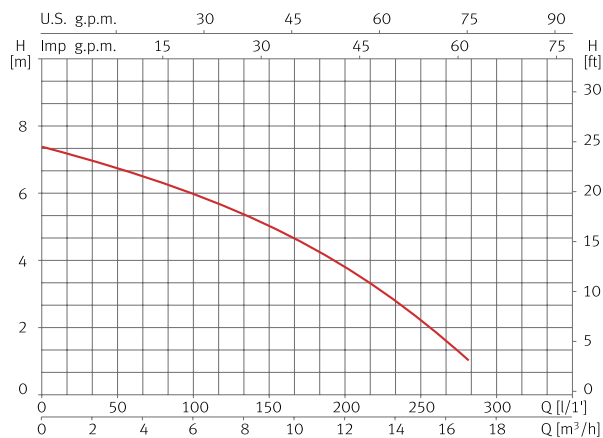
Maximum water temperature 40 °C.
Maximum solids passage Ø 35mm.
Maximum submersion 7m.



Hydraulic performance table

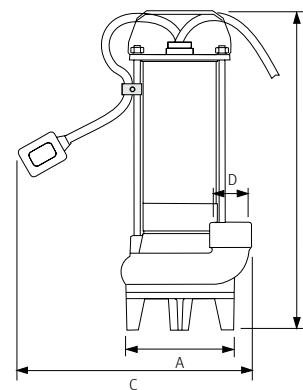
Model	I [A]	P1 [kW]	P2		c [µF]	l/min	25	50	100	125	150	200	250	280	Code
	1~230V	1~	[kW]	[HP]		m³/h	1,5	3,0	6,0	7,5	9,0	12	15	16,8	
Drainex 100	3,4	0,9	0,75	1	12	mwc	7	6,7	5,9	5,5	5	3,7	2	1	00096627

Performance curve at 2900 rpm



Dimension and weight

Model	A	B	C	D	Kg
Drainex 100	138	407	300	1 1/4"	11



Drainex 202 **Evacuation | Drainage**



Submersible pump for waste water with solids in suspension, vortex system

Applications

Evacuation, transfer and emptying of waste water with solids in suspension.

Materials

Pump and impeller in cast iron.
Pump shaft in AISI 420.
Mechanical seal.
O-rings in NBR/EPDM.

Equipment

90° elbow included.
Model MA with float switch and 10m of cable with plug type F.
Model M without float switch and 10m of cable with plug type F.
Model T without float switch and 10m of cable without plug.
Internal capacitor.

Motor

Asynchronous 2 poles.
IP68 protection.
Continuous operation.
Class F insulation.
Single phase motor with built-in thermal protection.

Limitations

Maximum water temperature 40 °C.
Maximum solids passage Ø 45mm.
Maximum submersion 7m.



Model MA

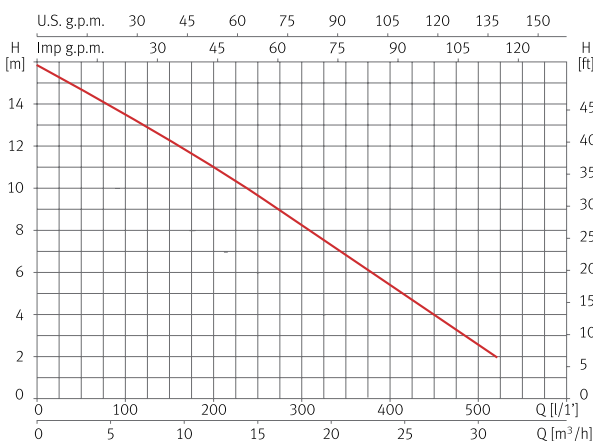


Model M/T

Hydraulic performance table

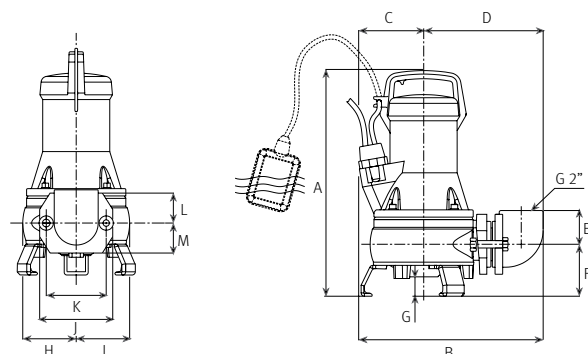
Model	I [A]		P1 [kW]		P2		c [µF]	l/min	50	100	200	300	400	500	Code		
	1~230V	3~400V	1~	3~	[kW]	[HP]									m³/h	1~230V (Model M)	1~230V (Model MA)
Drainex 202	7,4	2,8	1,6	1,6	1,1	1,5	16	mwc	15,1	13,8	11,3	8,5	5,6	2,5	00096674	00096676	00096672

Performance curve at 2900 rpm



Dimension and weight

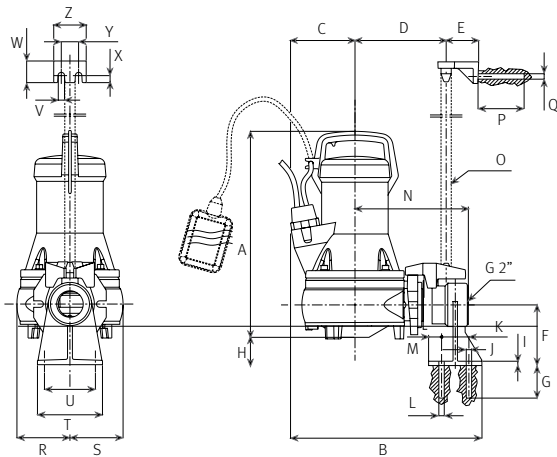
Model	A	B	C/K	D	E	F	G	H/I	J	L/M	Kg
Drainex 202	437	338	110	219	62	95	49	98	134	55	25



Dimension stationary version

A	B	C	D	E	F	G	H	I	J	K	L	M
388	353	110	168	60	112	60	52	8	12	51	Ø10	24

N	O	P	Q	R	S	T	U	V	W	X	Y	Z
209	Ø25	85	Ø10	98	98	120	94	12	40	13	32	60



Stationary installation kit for Drainex 202



Support base for automatic anchoring



Clamping flange



Upper anchoring on guide tube

Kit	Code
DR1	00100527

Drainex 302 **Evacuation | Drainage**



Submersible pump for waste water with solids in suspension, vortex system

Applications

Evacuation, transfer and emptying of waste water with solids in suspension.

Materials

Pump and impeller in cast iron.
Pump shaft in AISI 420.
Mechanical seal.
O-rings in NBR/EPDM.

Equipment

90° elbow included.
Model MA with float switch and 10m of cable with plug type F.
Model M without float switch and 10m of cable with plug type F.
Model T without float switch and 10m of cable without plug.
Internal capacitor.

Motor

Asynchronous 2 poles.
IP68 protection.
Continuous operation.
Class F insulation.
Single phase motor with built-in thermal protection.

Limitations

Maximum water temperature 40 °C..
Maximum solids passage Ø 65mm.
Maximum submersion 7m.



Model MA

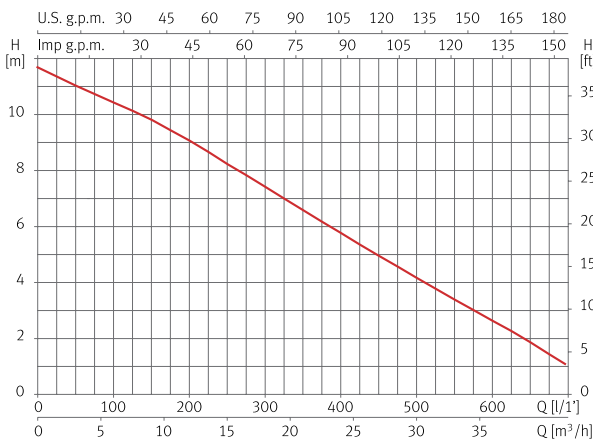


Model M/T

Hydraulic performance table

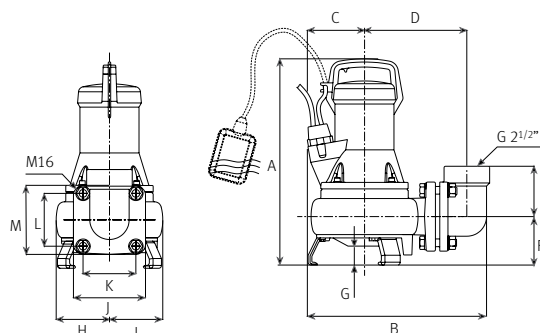
Model	I [A]		P1 [kW]		P2		c [µF]	l/min	50	100	200	400	500	650	Code		
	1~230V	3~400V	1~	3~	[kW]	[HP]									1~230V (Model M)	1~230V (Model MA)	3~400V (Model T)
	m³/h	3,0	6,0	12	24	30									39		
Drainex 302	7,8	3	1,8	1,8	1,1	1,5	16	mwc	11	10,5	9	5,8	4,2	1,8	00096704	00096706	00096702

Performance curve at 2900 rpm



Dimension and weight

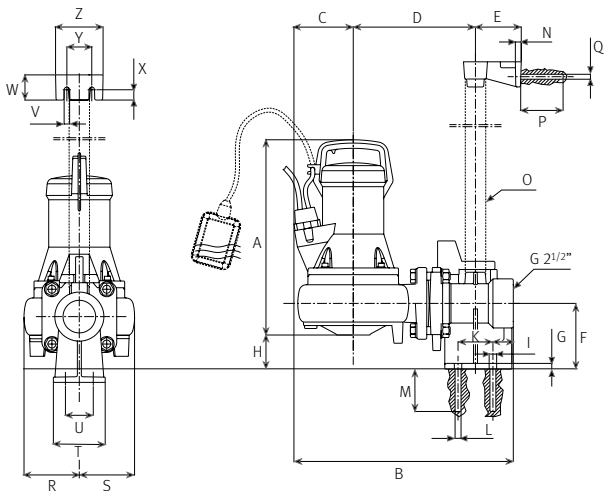
Model	A	B	C	D	E	F	G	H/I	J	K/L	M	Kg
Drainex 302	455	373	108	213	105	101	62	111	150	110	144	28



Dimension stationary version

A	B	C	D	E	F	G	H	I	J	K	L	M
405	441	108	246	92	132	12	75	15	38	70	Ø12	85

N	O	P	Q	R	S	T	U	V	W	X	Y	Z
12	Ø42	85	Ø10	111	111	104	56	11	51	21	50	95



Stationary installation kit for Drainex 302



Support base for automatic anchoring



Clamping flange



Upper anchoring on guide tube

Kit	Code
DR2	00100528

Drainex 402 **Evacuation | Drainage**



Submersible pump for waste water with solids in suspension, vortex system

Applications

Evacuation, transfer and emptying of waste water with solids in suspension.

Materials

Pump and impeller in cast iron.
Pump shaft in AISI 420.
Mechanical seal.
O-rings in NBR/EPDM.

Equipment

10m of cable without plug.

Motor

Asynchronous 2 poles.
IP68 protection.
Continuous operation.
Class F insulation.

Limitations

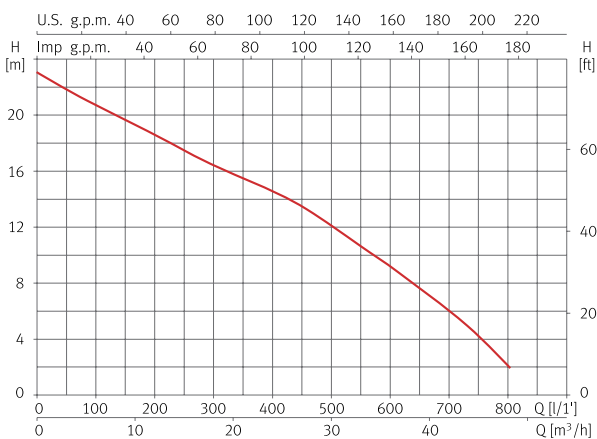
Maximum water temperature 40 °C.
Maximum solids passage Ø 45mm.
Maximum submersion 7m.



Hydraulic performance table

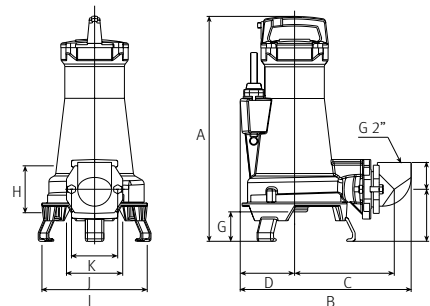
Model	I [A]	P1 [kW]	P2		l/min	100	200	400	500	600	700	800	Code
	3~400V	3~	[kW]	[HP]	m³/h	6,0	12	24	30	36	42	48	3~400V (Model T)
Drainex 402	5,6	3,2	2,6	3,5	mwc	20,7	18,6	13,7	12	9,3	5	2	00129725

Performance curve at 2900 rpm



Dimension and weight

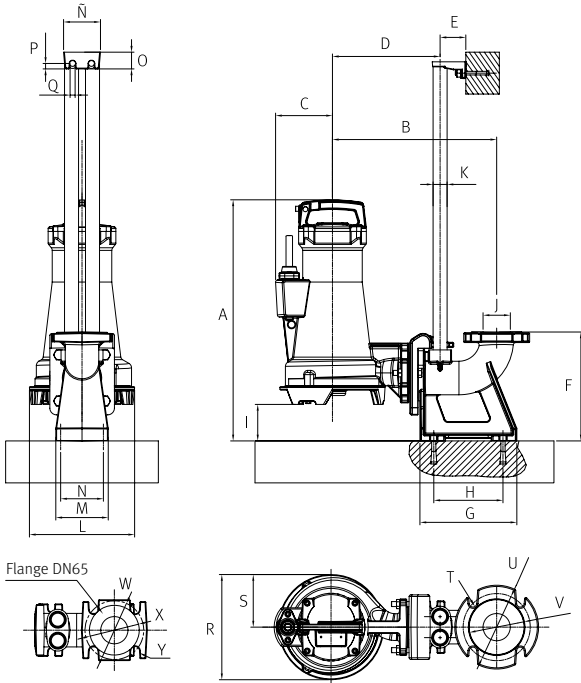
Model	A	B	C	D	E	F	G	H	I	J	K	Kg
Drainex 402	537	408	238	130	124	64	70	110	251	134	110	45



Dimension stationary version

A	B	C	D	E	F	G	H	I	J	K	L	M
575	392	136	257	62	260	231	165	87	Ø65	1"	251	125

N	Ñ	O	P	Q	R	S	T	U	V	W	X	Y
102	88	40	13	12	251	125	Ø18	Ø160	Ø133	Ø140	Ø120	Ø21



Stationary installation kit for Drainex 402

DN65 (flange 65)

DIN 2501 PN16

ANSI 150 2"



Support base with elbow for automatic anchoring



Clamping flange



Upper anchoring on double guide tube

Kit	Code
DR3.2	00207381

Portable installation kit for Drainex 402



90° elbow at 2"



Stainless steel feet

Kit	Code
DR6	00132139

Drainex 502 **Evacuation | Drainage**



Submersible pump for waste water with solids in suspension, vortex system

Applications

Evacuation, transfer and emptying of waste water with solids in suspension.

Materials

Pump and impeller in cast iron.
Pump shaft in AISI 420.
Mechanical seal.
O-rings in NBR/EPDM.

Equipment

10m of cable without plug.

Motor

Asynchronous 2 poles.
IP68 protection.
Continuous operation.
Class F insulation.

Limitations

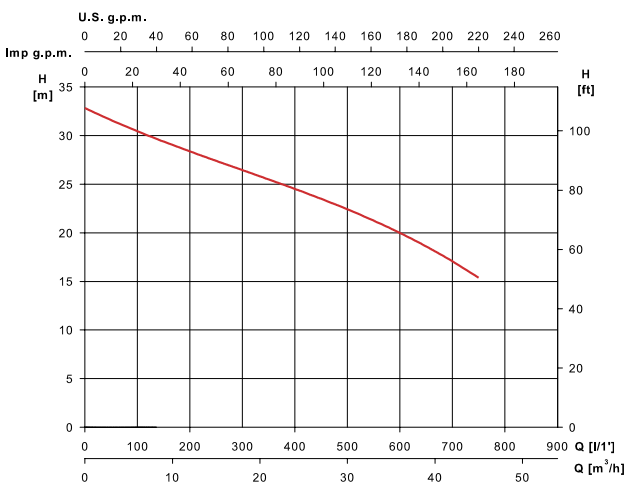
Maximum water temperature 40 °C.
Maximum solids passage Ø 45mm.
Maximum submersion 7m.



Hydraulic performance table

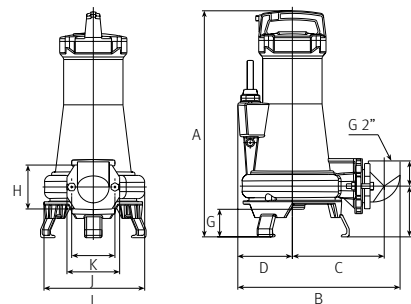
Model	I [A]	P1 [kW]	P2		l/min	100	300	400	500	600	750	Code
	3~400V	3~	[kW]	[HP]	m ³ /h	6,0	18	24	30	36	45	3~400V (Model T)
Drainex 502	8,2	4,8	3,7	5	mwc	30,1	26,8	24,5	22,2	20	15,4	00129726

Performance curve at 2900 rpm



Dimension and weight

Model	A	B	C	D	E	F	G	H	I	J	K	Kg
Drainex 502	575	412	234	139	129	64	70	110	256	134	110	55



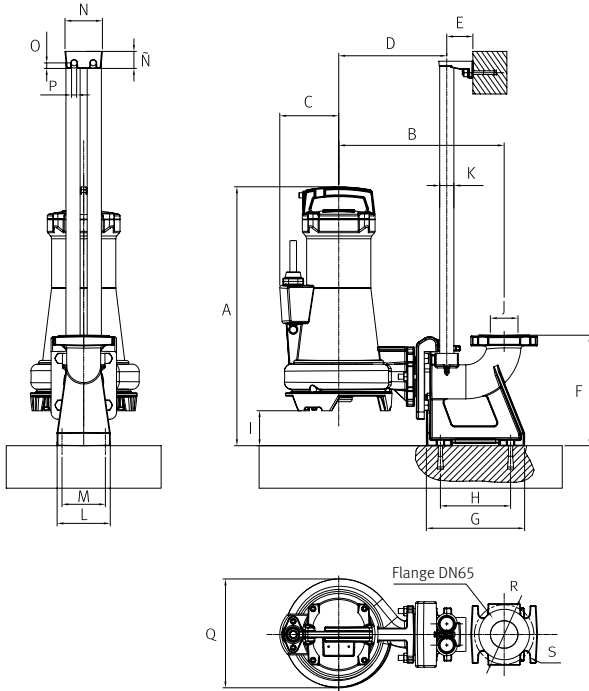
Drainex 502 **Evacuation | Drainage**



Dimension stationary version

A	B	C	D	E	F	G	H	I	J	K	L	M
609	389	139	254	62	260	231	165	82	Ø65	1"	125	102

N	N̄	O	P	Q	R	S
88	40	13	12	256	Ø140	Ø21



Stationary installation kit for Drainex 502

DN65 (flange 65)

DIN 2501 PN16

ANSI 150 2"



Support base with elbow for automatic anchoring



Clamping flange



Upper anchoring on double guide tube

Kit	Code
DR3.2	00207381

Portable installation kit for Drainex 502



90° elbow at 2"



Stainless steel feet

Kit	Code
DR6	00132139

Drainex 602 **Evacuation | Drainage**



Submersible pump for waste water with solids in suspension, vortex system

Applications

Evacuation, transfer and emptying of waste water with solids in suspension.

Materials

Pump and impeller in cast iron.
Pump shaft in AISI 420.
Mechanical seal.
O-rings in NBR/EPDM.

Equipment

10m of cable without plug.

Motor

Asynchronous 2 poles.
IP68 protection.
Continuous operation.
Class F insulation.

Limitations

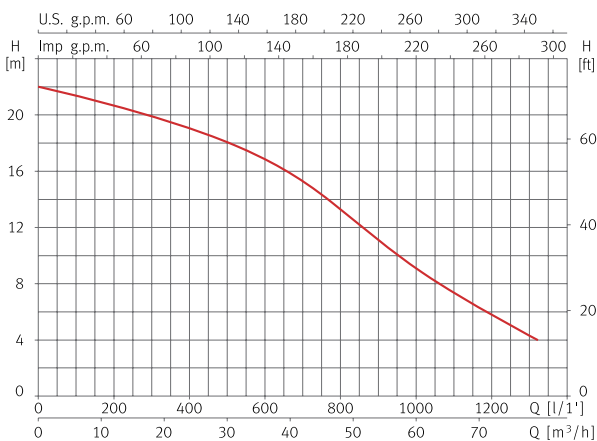
Maximum water temperature 40 °C.
Maximum solids passage Ø 65mm.
Maximum submersion 7m.



Hydraulic performance table

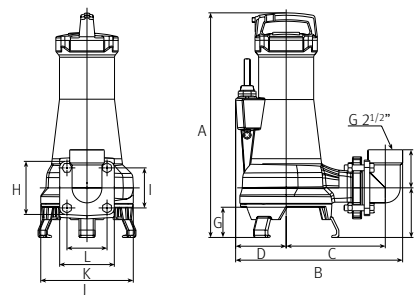
Model	I [A]	P1 [kW]	P2		l/min	200	400	600	800	1.000	1.200	1.300	Code
	3~400V	3~	[kW]	[HP]	m³/h	12	24	36	48	60	72	78	3~400V (Model T)
Drainex 602	8,1	5,5	3,7	5	mwc	21	19	16,8	13,3	9	5,8	4,3	00129730

Performance curve at 2900 rpm



Dimension and weight

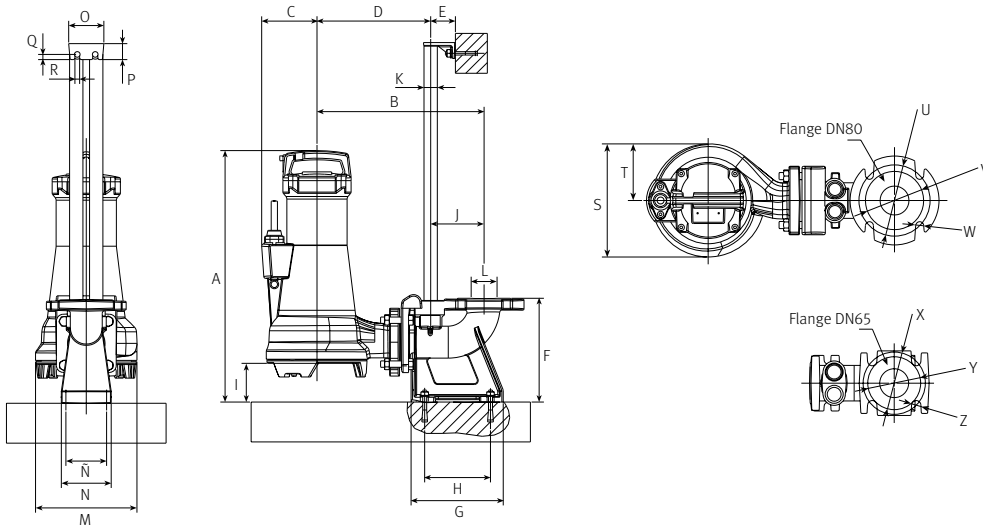
Model	A	B	C	D	E	F	G	H	I/L	J	K	Kg
Drainex 602	616	458	272	139	136	105	83	144	110	254	150	60



Dimension stationary version

A	B	C	D	E	F	G	H	I	J	K	L	M
630	419	319	285	62	260	231	165	97	134	1"	Ø65	254

N	Ñ	O	P	Q	R	S	T	U	V	W	X	Y	Z
125	102	88	40	13	12	254	127	Ø60	Ø133	Ø18	Ø140	Ø120	Ø21



Stationary installation kit for Drainex 602

DN65 (flange 65)



Support base with elbow for automatic anchoring

DIN 2501 PN16



Clamping flange

ANSI 150 2 1/2"



Upper anchoring on double guide tube

Kit	Code
DR4.2	00207379

Portable installation kit for Drainex 602



90° elbow at 2 1/2"



Stainless steel feet

Kit	Code
DR7	00132140

Submersible pump for waste water with solids in suspension, grinder system

Applications

Evacuation, transfer and emptying of waste water with solids in suspension.

Materials

Pump and impeller in cast iron.
Grinder blade in steel.
Pump shaft in AISI 420.
Mechanical seal.
O-rings in NBR/EPDM.

Equipment

90° elbow included.
Model MA with float switch and 10m of cable without plug.
Model M/T without float switch and 10m of cable without plug.
External capacitor with capacitor box included.

Motor

Asynchronous 2 poles.
IP68 protection.
Continuous operation.
Class F insulation.
Single phase motor with built-in thermal protection.

Limitations

Maximum water temperature 40 °C.
Maximum submersion 7m.



Model MA

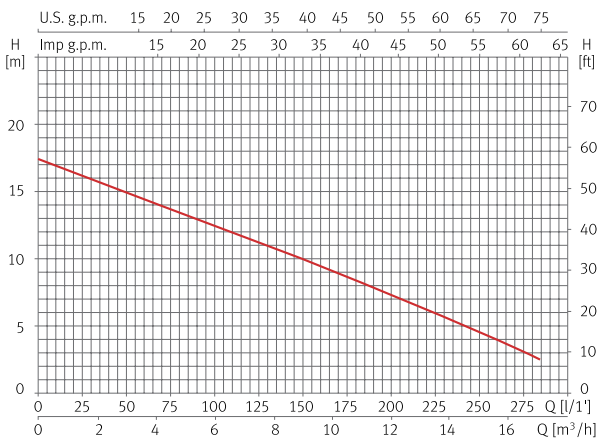


Model M/T

Hydraulic performance table

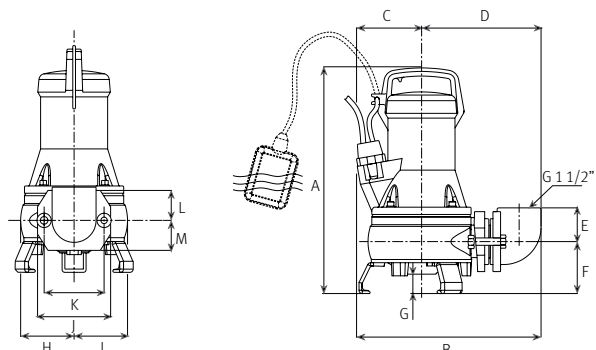
Model	I [A]		P1 [kW]		P2		c [μF]	l/min	25	50	100	150	200	250	Code		
	1~ 230V	3~ 400V	1~	3~	[kW]	[HP]									1~230V (Model M)	1~230V (Model MA)	3~400V (Model T)
Draincor	6,4	2,6	1,4	1,4	0,9	1,2	16/50	mwc	17	15	13	10	7	5	00213497	00213498	00096617

Performance curve at 2900 rpm



Dimension and weight

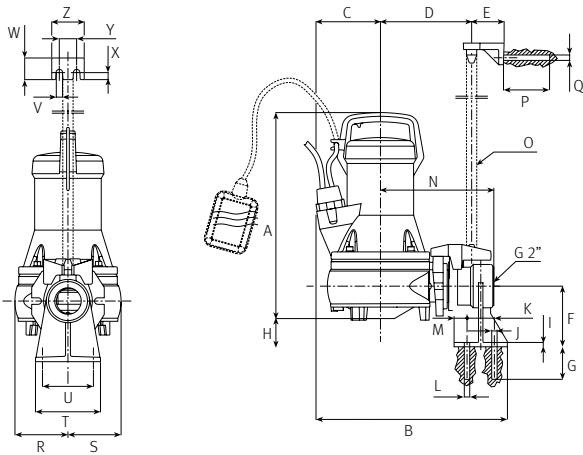
Model	A	B	C/K	D	E	F	G	H/I	J	L/M	Kg
Draincor	437	338	110	219	62	95	49	98	134	55	25



Dimension stationary version

A	B	C	D	E	F	G	H	I	J	K	L	M
388	353	110	168	60	112	60	52	8	12	51	Ø10	24

N	O	P	Q	R	S	T	U	V	W	X	Y	Z
209	Ø25	85	Ø10	98	98	120	94	12	40	13	32	60



Stationary installation kit for Draincor



Support base for automatic anchoring



Clamping flange



Upper anchoring on guide tube

Kit	Code
DR1	00100527





Accessories

Pressure vessels

Applications

Accumulation of pressurised water for all hydraulic domestic, agricultural and industrial applications.

Limitations

Temperature range:
3 to 500 lt (-10 to +100 °C)
750 to 4000 lt (-10 to +50 °C)

Features

WRAS approval for drinking water usage and CE marked.

The EPDM variable geometry replaceable membrane provides longer life by eliminating membrane stress throughout normal operational cycles.

A Schrader valve is fitted to each vessel to provide air pressure adjustment, which should be periodically checked.



Technical features

Vertical

Model	Capacity [Ltr]	Max Press Bar	Working Temp °C	Connection BSPM	Ø [mm]	Length [mm]	Weight [Kg]	Code
3L Vertical vessel ACS 3	3	10	-10 to +100	3/4" M	170	245	1.3	00850010
8L Vertical vessel ACS CE8	8	10	-10 to +100	3/4" M	220	305	1.8	00850011
18L Vertical vessel ACS CE18	18	10	-10 to +100	3/4" M	260	380	3.2	00850013
24L Vertical vessel ACS CE24	24	10	-10 to +100	1" M	260	490	3.6	00850015
24L Vertical vessel 3/4" ACS CE24	24	10	-10 to +100	3/4" M	260	490	3.6	00850016
24L Vertical vessel 16bar AFC/CAR CE24	24	16	-10 to +100	3/4" M	265	490	7.5	00850014

Vertical c/w legs

Model	Capacity [Ltr]	Max Press Bar	Working Temp °C	Connection BSPM	Ø [mm]	Length [mm]	Weight [Kg]	Code
50L Vertical vessel AFE CE50	50	10	-10 to +100	1" M	380	720	8.4	00850017
60L Vertical vessel AFE CE60	60	10	-10 to +100	1" M	380	830	10.7	00850018
80L Vertical vessel AFE CE80	80	10	-10 to +100	1" M	460	760	12.2	00850019
100L Vertical vessel AFE CE100	100	10	-10 to +100	1" M	460	880	13.5	00850022
100L Vertical vessel AFE/CAR CE100	100	16	-10 to +100	1" M	460	880	30.1	00850020
150L Vertical vessel AFE CE150	150	10	-10 to +100	1" M	510	1030	23.4	00850023
200L Vertical vessel AFE CE200	200	10	-10 to +100	1 1/4" M	590	1100	33	00850024
200L Vertical vessel AFE/CAR CE200	200	16	-10 to +100	1 1/4" M	590	1100	48.4	00850025
300L Vertical vessel AFE CE300	300	10	-10 to +100	1 1/4" M	650	1280	44.5	00850026
300L Vertical vessel AFE/CAR CE300	300	16	-10 to +100	1 1/4" M	650	1280	67	00850027
500L Vertical vessel AFE CE500	500	10	-10 to +100	1 1/4" M	750	1600	58.5	00850028
750L Vertical vessel AFE CE750	750	8	-10 to +100	2" F	750	2045	153.5	00850029
1000L Vertical vessel AFE CE1000	1000	10	-10 to +50	2 1/2" F	800	2130	183.5	00850021

Horizontal

Model	Capacity [Ltr]	Max Press Bar	Working Temp °C	Connection BSPM	Ø [mm]	Length [mm]	Weight [Kg]	Code
24L Horizontal vessel AFOSB CE24	24	8	-10 to +100	3/4" M	260	485	4.7	00850004
24L Horizontal vessel AFOSB CE24	24	8	-10 to +100	1" M	260	485	4.7	00850003
60L Horizontal vessel AFESB CE60	60	10	-10 to +100	1" M	380	690	10.4	00850006
100L Horizontal vessel AFESB CE100	100	10	-10 to +100	1" M	460	780	14	00850007
200L Horizontal vessel AFESB CE200	200	10	-10 to +100	1 1/4" M	590	1000	34.2	00850008
300L Horizontal vessel AFESB CE300	300	10	-10 to +100	1 1/4" M	650	1150	44	00850009

Pressure vessels

Applications

Suited for a wide range of applications, including booster systems, thermal expansion, irrigation systems and hydraulic hammer arresting.

Materials

Constructed of a polypropylene liner combined with an FDA approved high grade butyl diaphragm, which is held against the wall of the tank with a steel clench ring.

All internal parts including the air valve are rounded to prevent piercing of the diaphragm.

The water connection uniquely provides a dual water/air seal ensuring a complete leak & maintenance free pressure vessel.

Features

Single diaphragm design.

NSF standard 61, CE/PED, WRAS, ACS, ISO:9001.

Gost approved.

Stainless steel water connection.

Polypropylene liner.

Two part polyurethane, epoxy primed paint finish.

Leak free, o-ring sealed air valve cap.

Comprehensive testing.

No maintenance.

5 Year warranty.



Technical features

Vertical

Model	Capacity [Ltr]	Max Press Bar	Connection G BSPM	Ø [cm]	Length [cm]	Weight [Kg]	Code
2L Vertical vessel PWB 2 LX	2	10	1" M	12.7	18.3	1	00850076
4L Vertical vessel PWB 4 LX	4	10	1" M	16.2	25.8	1.7	00850077
8L Vertical vessel PWB 8 LX	8	10	1" M	20.3	31.7	2.6	00850048
12L Vertical vessel PWB 12 LX	12	10	1" M	24.4	36.6	3.2	00850041
18L Vertical vessel PWB 18 LX	18	10	1" M	27.9	36.8	4.3	00850050
24L Vertical vessel PEWB 24 LX	24	10	1" M	28	36	4.5	00850039
35L Vertical vessel PWB 35 LX	35	10	1" M	31.8	48.1	7.1	00850051

Vertical c/w legs

Model	Capacity [Ltr]	Max Press Bar	Connection G BSPM	Ø [cm]	Length [cm]	Weight [Kg]	Code
35L Vertical vessel PWB 35 LV	35	10	1" M	31.8	55.5	7.5	00850045
60L Vertical vessel PWB 60 LV	60	10	1" M	38.8	62.6	12.3	00850052
80L Vertical vessel PWB 80 LV	80	10	1" M	38.8	79	16.7	00850053
100L Vertical vessel PWB 100 LV	100	10	1" M	43	80.4	18.9	00850049
150L Vertical vessel PWB 150 LV	150	10	1" M	43	107	26	00850042

Horizontal

Model	Capacity [Ltr]	Max Press Bar	Connection G BSPM	Ø [cm]	Length [cm]	Weight [Kg]	Code
8L Horizontal vessel PW 8 LH	8	10	1" M	23	31.4	2.46	00850075
12L Horizontal vessel PW 12 LH	12	10	1" M	26	38.3	3.25	00850074
20L Horizontal vessel PWB 20 LH	20	10	1" M	43.9	28.9	6.1	00850038
24L Horizontal vessel PWB 24 LH	24	10	1" M	44.4	31.7	6.5	00850043
35L Horizontal vessel PWB 35 LH	35	10	1" M	48.1	35.4	7.9	00850044
60L Horizontal vessel PWB 60 LH	60	10	1" M	52.8	41.4	12.5	00850046
80L Horizontal vessel PWB 80 LH	80	10	1" M	72.4	41.4	17.5	00850047
100L Horizontal vessel PWB 100 LH	100	10	1" M	72.4	48.2	19.2	00850040

Vertical c/w base

Model	Capacity [Ltr]	Max Press Bar	Connection G BSPM	Ø [cm]	Length [cm]	Weight [Kg]	Code
200L Vertical vessel GCB 200LV	200	10	1 1/4" F	53.3	103.3	34.3	00850034
240L Vertical vessel GCB 250LV	240	10	1 1/4" F	53.3	121.2	36.5	00850035
310L Vertical vessel GCB 300LV	310	10	1 1/4" F	53.3	150	45.4	00850036
450L Vertical vessel GCB 450LV	450	10	1 1/4" F	66	152.9	69.3	00850037

Capacitor boxes



Model	Code
12 µF 230 V	00880095
16 µF 230 V	00880096
25 µF 230 V	00880097
30 µF 230 V	00880098

Pressure switches



Model	Code
4 bar Square D (1.4-4.6 bar)	00880037
10 bar Square D (6-10.5 bar)	00880039
0-6 bar (Teddington type)	00880076
0-12 bar Telemecanique	00880027
0-6 bar Telemecanique	00880026

Pressure gauges



Model	Code
0-6 bar (Radial 63 mm, 1/4" connection)	00880121
0-10 bar Glycerine (Radial 63 mm, 1/4" connection)	00880124

Cable connectors



Model	Code
Heat shrink (1-2.5 mm ²)	00880054

Floating level switch



Model	Code
Olympic water float switch c/w weight 3mtr	00880067
Olympic water float switch c/w weight 10mtr	00880066
Taurus sewage float switch PVC 10 m	00880059
Taurus sewage float switch PVC 20 m	00880060

Pressure transducers



Model	Code
518 S/S Transducer 0-10 bar	00870141

Kit Press



Model	A	B	C	D	Code
Kit Press 1/4"	148	135.5	1/4"	124	00169961



Information

Quality at ESPA is much more than an objective or a market requirement; it is something that is part of our way of being and corporate culture.

As a result we can offer a level of reliability that covers all the parts of the product cycle: design, development, production, commercialization, after sales service of pumps for domestic, agricultural and industrial applications with the certified guarantee **UNE-EN-ISO 9001:2015**.

Millions of ESPA pumps are working all over the world which is a symbol of the trust that the professionals and end users have bestowed in ESPA: hotels, schools, housing development, apartment complex, health resorts, factories, logistic centers, agricultural plantations, gardens, water treatment facilities, chemical industries, etc.

All the products from this catalogue comply with the following standards:

Directive 2006/42/EC about machine security.

Directive 2014/35/EC about low voltage.

Directive 2014/30/EC about electromagnetic compatibility.

European norms EN 804 and **EN 60335-2-41**.

Directive 2000/14/CEE about sound emissions.

RD 110/2015 about regarding electronic and electrical products and the waste management.

Directive 2009/125/EC about ecodesign.

Directive 2011/65/UE restriction of the use of certain hazardous substances in electrical and electronic equipment ROHS (Norm EN 50581).

Directive 2005/32/CE ecodesign requirements for energy-using products. IE3 energy efficient motors.

ESPA voltages

Voltage tolerances:

Nominal 230V [+/- 10%].

Nominal 400V [+/- 10%].

Non-binding pictures; the technical specifications and/or the equipment might change depending on the model. ESPA has the right to change the content of the present catalogue without any further notice, always with the intention to improve the information that is given to our clients.

The data containing this catalogue is valid, except for any spelling or printing mistakes, until a new version of the catalogue is released.

› Check out the brand protection measures at www.espa.com.

In ESPA we want to go further. We not only want to be in our clients' homes, but to be part of their lives. Nourish them with more comfortable and pleasant moments.

We believe that little things around us are what feed our well-being.

#espamoments

With #ESPAMOMENTS hashtag we would like you to tell us when we come along with you. We will also try to tell you how we can contribute to improve your life.

**Follow us on our social media.
We have something to tell you.**

